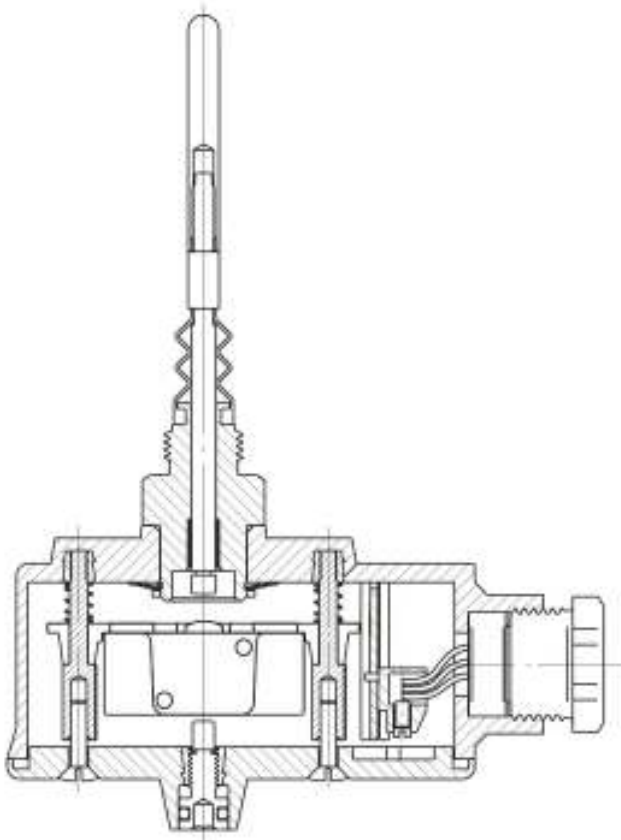


Closed Position Switch for ZEV series Gas Solenoid Valves

INSTRUCTION SHEET



INSTALLATION

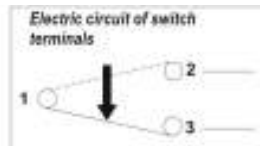
- Ensure that the right model number, corresponding with the valve body size, is applied to have proper function
- Remove the 1/4" plug at the bottom of the valve body
- Ensure that the O-ring is applied at the brass mounting nut, to have a proper sealing
- Tighten the switch at the valve body using a 17mm wrench
- Realign the switch housing to the valve body
- Perform a leakage test, to ensure the proper sealing of the switch at the valve body

ADJUSTMENT

- Ensure that the valve is in the closed position
- Ensure that the switch is in the open position, with the contacts at the terminals 1 and 3 in open position
- Turn the adjustment screw at the bottom of the switch unit clockwise till the switch closes, with the contacts at terminal 1 and 3 in closed position
- Turn the adjustment screw an additional 1/4 turn clockwise, to achieve some over travel at the switch
- Operate the solenoid valve several times to ensure proper functioning of the switch

WIRING

Follow the instructions, supplied by the appliance manufacturer



APPLICATION

The closed position switch can be used on ZEV gas solenoid valves to indicate position of the valve

Type Numbers

CPI-20/25 for valve size 3/4" & 1"
CPI-32/40 for valve sizes 1.1/4" & 1.1/2"
CPI-50 for valve size 2"
CPI-65/80 for valve size 2.1/2" & 3" BSP & Flanged
CPI-100 for valve size 4" Flanged

SPECIFICATIONS

Operational voltage: 250Vac 3A
Enclosure: IP65
Ambient temperature:
-15 to +60 Deg C

Warning

- Take care that the installer is a trained experience service man
- Turn off gas supply before starting installation
Disconnect power supply to prevent electrical shock and/or equipment damage