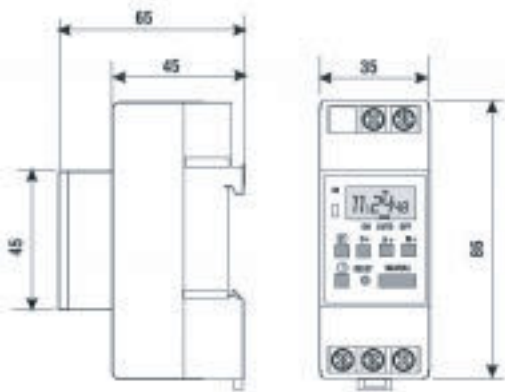
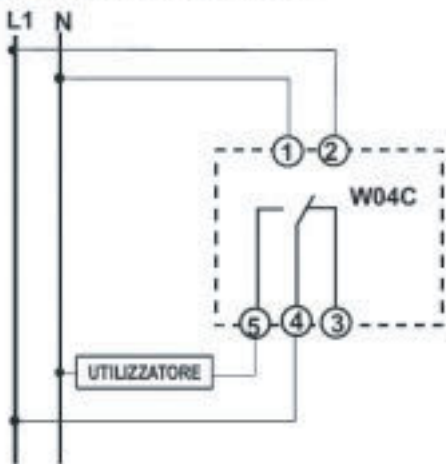


W04C Digital Timer for DIN Rail Mounting

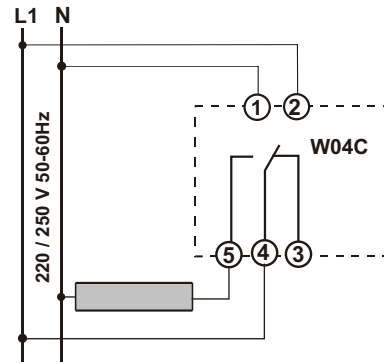
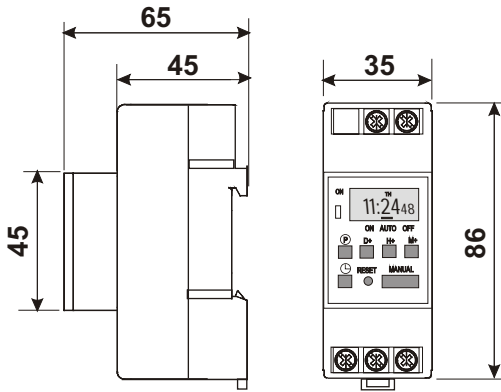


COLLEGAMENTI ELETTRICI

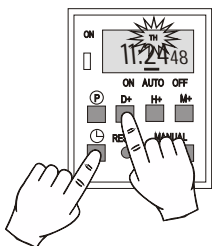


- Time switch with daily or weekly programmes and for universal use.
- User-friendly programming system, via 6 control buttons and a RESET key.
- On the liquid crystal display the following are read: hour, minutes, seconds, day of the week: mo (Monday)-tu (Tuesday)-we(Wednesday)-th(Thursday)-fr(Friday)-Sa(Saturday)-su(Sunday).
- Automatic or manual operation ON-OFF
- 16 programmes (8 on and 8 off)
- Can be programmed for individual days or blocks of days.
- Programmable minute-by-minute.
- Entered programmes can be checked.
- Manual switch-over to AUTO and ON or OFF permanently.
- LED to indicate the status of the contact
- Charge of over 100 hours.
- Fast connection of the case to the 35 mm rail EN 50022-3 DIN 46277-3
- Electronic unit in compact, modular (2 modules) shock-proof thermoplastic case, suitable for mounting several switches side by side.
- Transparent cover to protect the control buttons.
- 16 available memories (8 ON and 8 OFF)
- Clock precision ± 1 minute/month
- TÜV approval
- Power supply 220V-250V 50-60Hz
- Consumption 4.4W
- Output via SPDT electromagnetic relays with voltage free terminals
- Contact rating 16(8)A-250V
- Charge of over 200 hours with NIMH battery 1.2 V dc

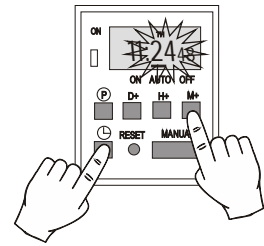
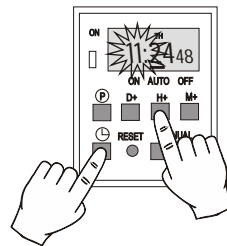
COLLEGAMENTI - WIRING DIAGRAM - CONNECTION



REGOLAZIONE GIORNO E ORA IN CORSO - SETTING DAY AND CLOCK TIME - REGULATION JOUR ET HOUR



MO = LUNEDI	MONDAY	LUNDI
TU = MARTEDI	TUESDAY	MARDI
WE = MERCOLEDI	WEDNESDAY	MERCREDI
TH = GIOVEDI	THURSDAY	JEUDI
FR = VENERDI	FRIDAY	VENDREDI
SA = SABATO	SATURDAY	SAMEDI
SU = DOMENICA	SUNDAY	DIMANCHE



PROGRAMMAZIONE - PROGRAMMING - PROGRAMMATION:
8 PROG. ON - 8 PROG. OFF

PROG: ON 1

PROG: OFF 1

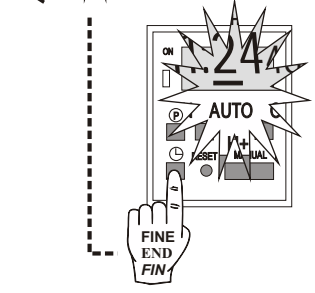
Giorni o gruppi di giorni
Days or days blocks
Jours ou groups de jours

MO	TU	WE	TH	FR	SA	SU
MO	TU	WE	TH	FR	SA	SU
MO	TU	WE	TH	FR	SA	SU
MO	TU	WE	TH	FR	SA	SU
MO	TU	WE	TH	FR	SA	SU
MO	TU	WE	TH	FR	SA	SU

PROG: ON 2

PROG: OFF 8

**COMANDO MANUALE
MANUAL OVER RIDE - COMMAND MANUAL**



DATI TECNICI

- Precisione orologio ± 1 min/mese
- Alimentazione: 220/250V 50-60Hz
- Consumo 4,4W
- Uscita tramite relè elettromagnetico in commutazione
- Portata contatti 16(8)A 250V~
- Riserva di carica con batteria NiMH da 1,2V d.c. superiore a 100 ore

TECHNICAL DATA

- Timing accuracy ± 1 min/month
- Supply voltage: 220/250V 50-60Hz
- Power consumption 4,4W
- Electromagnetic output SPDT relays
- Contact rating 16(8)A 250V~
- Battery back up: NiMH 1,2V d.c. >100h

CARACTERISTIQUES TECHNIQUES

- Précision horloge ± 1 min/mois
- Alimentation: 220/250V 50-60Hz
- Consommation 4,4W
- Sortie par relais électromagnétique en commutation
- Portée contacts 16(8)A 250V~
- Réserve de charge avec batterie NiMH 1,2V d.c. au-dessus de 100 heures