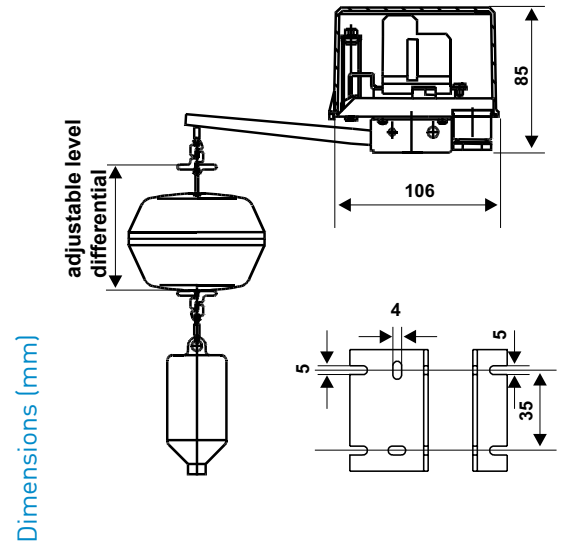


A70

Electromechanical float switch for three-phase motor control, for liquids up to 50°C

Suitable for filling and emptying of the tanks, such as cisterns and tanks with pure water. Three-phase or monophasic motor direct control.



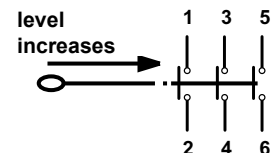
Dimensions (mm)

	Adjustable level mm	Nylon cable length m	Maximum liquid temperature °C	Protection degree
A70	50 ÷ 750	1	50	IP40

ELECTRICAL FEATURES

Three-pole switch, contacts in silver alloy.
Direct control of the pump.
In case of monophasic motor only two poles are connected.

Rated insulation tension	Ui 415 V~		
Continuous operation rated current		Ith 25 A	
Rated current for using in AC-1	Ie 20 A		
Rated current for using in AC-3	Ie 9 A		
		220 V / 250 V~	380 V / 415 V~
Powers of the three-phase motors in AC-3		2,2 kW (3 HP)	4 kW (5,5 P)@

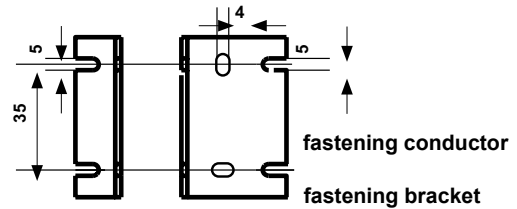


HOMOLOGATION AND STANDARDS

Complies with CEI- EN 60947-4-1 standards.

INSTALLATION

Side fixing bracket can be mounted on the left or on the right side of the device.



OPERATION

Operation at atmospheric pressure in the tank.

Operation modes: tank filling and emptying is done moving the pin with the float and counterweight.

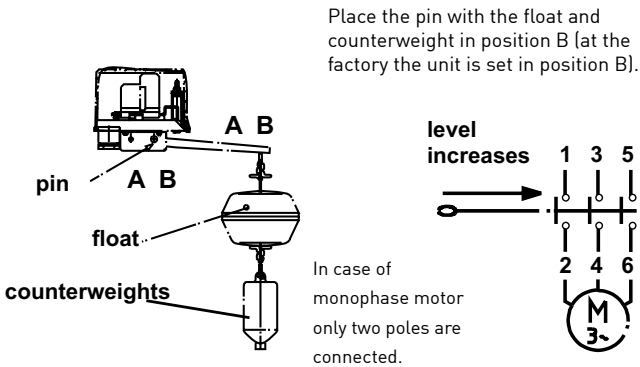
Side fixing bracket can be mounted on the left or right side of the device.

Clamp for grounding and 2 clamps Pg9.

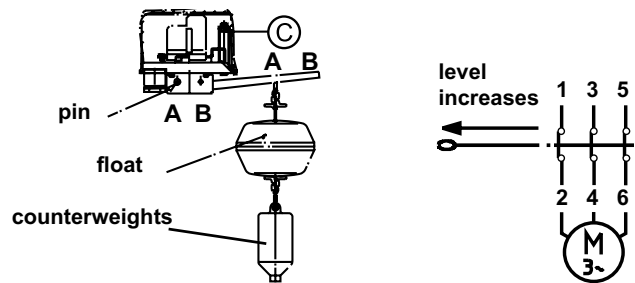
Adjustable level differential.

Indicated level differential is obtained using the serial cables. With cables of different lengths is possible to get level differential of up to several meters.

EMPTYING



FILLING



FEATURES

Body in shockproof heat-resistant material.

Metallic parts in galvanized steel.

Moplen float.

Counterweights coated in shockproof acid-resistant thermoplastic.

Nylon rope to adjust level differentials.

Storage and transport temperature: $-25 \div 60^{\circ}\text{C}$.

Unit weight: 1,1 Kg.