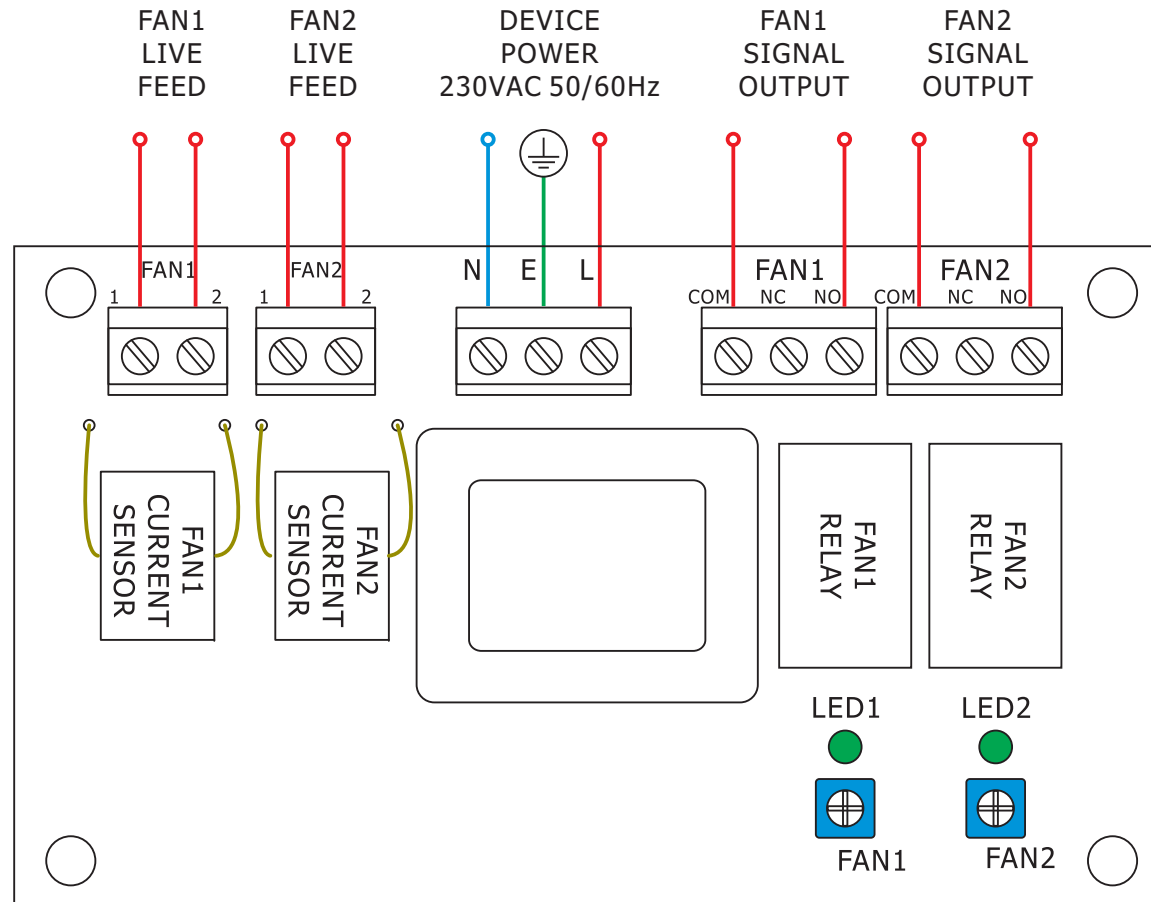


# GAS MINDER CURRENT SENSOR SCHEMATIC



The GAS MINDER CURRENT SENSOR is a 2-channel, up to 2.8KW per channel fan current sensor.

Set the fan speed to the minimum desired speed and slowly turn the screw of the blue "pot" to corresponding fan channel until the green LED is illuminated.