

ZV..PL
with Indicating Light

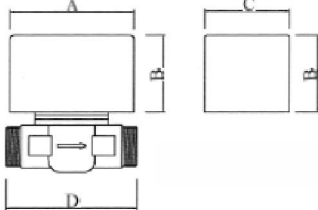
2-port SPRING RETURN
Zone Valve with Indicating Light

INSTRUCTION SHEET

Type Numbers and sizes:

ZV3/4CPL	3/4" Irish Copper compression
ZV3/4PL	3/4" BSP
ZV22PL	22 mm Copper compression
ZV1CPL	1" Irish Copper compression
ZV28PL	28 mm Copper compression
ZV1PL	1" BSP

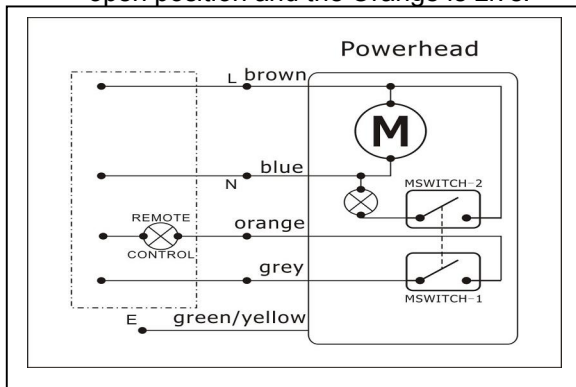
All dimensions in mm



ZV?	A = 87	B = 55	C = 60	D = 112
ZV?	A = 87	B = 55	C = 60	D = 117
ZV?	A = 87	B = 55	C = 60	D = 94
ZV?	A = 87	B = 55	C = 60	D = 94

Application

The **ZV** range 2-port spring return valve has been designed in general to be used in commercial, industrial applications and on central heating systems which when correctly wired with an appropriate room thermostat, cylinder thermostat and programmer will control the water flow from the boiler to hot water and from boiler to central heating. The neon illuminates when valve fully in open position and the Orange is Live.



Replacement Head

When replacing the head, ensure that the Auto/Manual lever on both the installed and replacement heads is in the manual position

ZV range 2-port spring return motorised zone valves with an auxiliary switch and neon indicator lamp
The fitting and wiring instructions should be read before fitting the valve

Fitting:

When connecting to pipe work do not use the actuator for leverage. Valves should be held by wrench flats on body. Place the AUTO/MAN lever in the MAN position when filling, venting or draining the system

The valve must be installed with the arrow in the direction of the flow. Failure to do so will result in water hammer and potential premature failure

Mounting Options:

The valve may be mounted vertically, or horizontally but should not be mounted so that valve head is below the horizontal level of the pipe work
Do NOT over tighten

Warning:

All controls must be earthed. All valves should have a means of disconnection from electrical mains supply which incorporates a contact separation of at least 3mm in all poles. All wiring must be carried out to IEE Regulations by a competent Electrician
The system must be appropriately fused

Technical Data

Voltage: 230Vac / 110Vac / 24Vac
Power consumption: 6W
Cable length: 1 metre, 5 core
Fluid temperature : +5 to +80°C
Max ambient temperature: +50°C
Port A is normally closed when there is no power

Wires

Blue – neutral,
Brown – live
Green & Yellow – earth
Orange – end switch out (auxiliary)
Grey – permanent live end switch in (auxiliary)

Certifications

CE : C102410
ISO 9001:2000 GB00568



Banico Controls
Tilson Road, Manchester M23 9GF
www.banicocontrols.com

