

Double immersion thermostat control (external adjustment) + limiter
 (fixed calibration) fail safe with manual reset
 Liquid filled sensing element suitable for PED fluids group 2

Datasheet

Operating range: Min.0- Max 90°C

Tolerance: T.Min.±6°C T.Max ±4°C

Differential : 6±2°C

Set point (fixed calibration): Min.90 - Max110°C

Tolerance: ±10°C

To be used heat resisitant cables: T120°C

Differential: 15±25°C

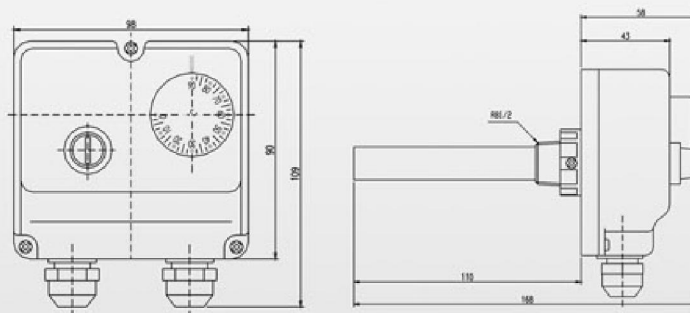
Temperature limit of thermostat head: T85

Contact rating: 16 (4) A 250V- 6 (1) A 400V-

Rated impulsive voltage: 4kV



Dimensions



INSTALLATION

WARNING!

The installation procedure described as follow must be performed exclusively by qualified personerl in respect to the security norms and dispositions of the current standards.

Verify that the thermostat techinal data (power supply,contact rating,ect...)are suitable to the installation conditions.

1 Unscrew the three fixing screws and the cap, then remove the shell

2 Carry out the connections using the appropriate screw terminals

terminals:

- 1...Opens the circuit when temperature increases
- 2...Closes the circuit when temperature increases
- C...Common

Put the shell back in place adjusting the knob so that it slides on the control thermostat adjustment pin, then tighten the cap **A** and the three fixing screws

3 After inserting the bulbs into the sheath,lock the shell tightening the screw **B**

4 In order to reset the thermostat, unscrew the cap **A** and push the reset button

Note:Reset allowed for temperature values below Tsetpoint-15/25°C

