

New Products

Suspended Sealed Float Switches

For Alarms & Pump Control
16 (4) Amps

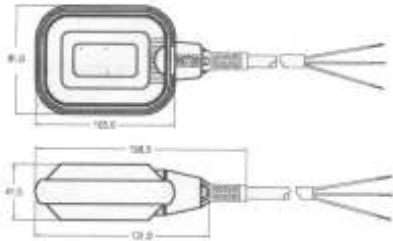


Complete with adjustable counter weight

A91-5 5m cable

A91-10 10m cable

*NEW
NEW*

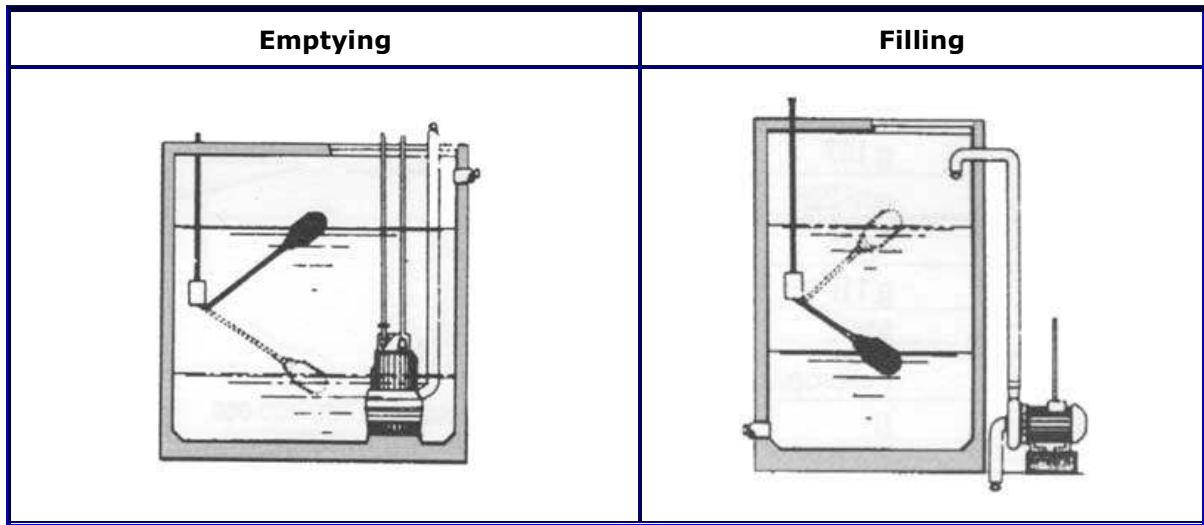


Fantastic introductory offers

Available ex-stock

Overnight deliveries

*NEW
NEW*



	<p>Banico Controls, Tilson Road, Manchester, M23 9GF Tel 0161 946 0088 Fax 08451 700740 info@banico.co.uk www.banico.co.uk</p>
--	---