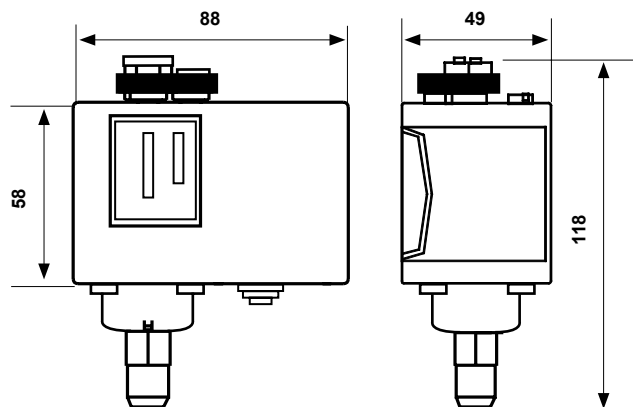


B13

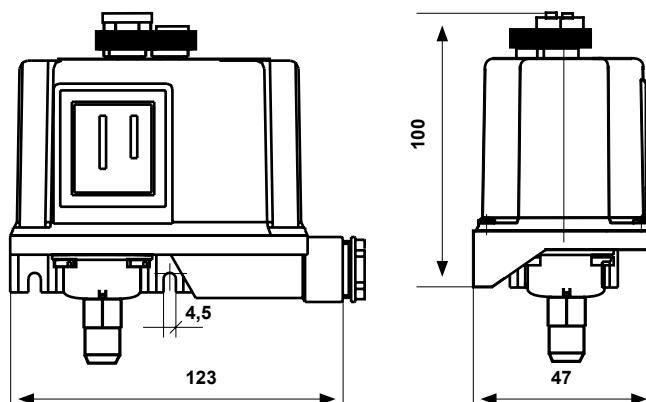
Pressure switches up to 10 bar with low adjustable differential

Pressostats with low differential for control and regulation of air compressors, autoclaves, water insulation and tanks in general, where a minimum difference between ON and OFF is required.



	Range bar	Differential bar	Sensitive element max. pressure bar	Connection G/14	Protection degree	Availability
B13BN	0,3 ÷ 4	0,1 ÷ 0,5	6	threaded	IP40	in stock
B13CN	1 ÷ 10	0,3 ÷ 1,5	16	threaded	IP40	in stock

WATERPROOF CASING EXECUTION

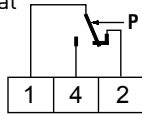


B13BNY	0,3 ÷ 4	0,1 ÷ 0,5	6	threaded	IP65	in stock
B13CNY	1 ÷ 10	0,3 ÷ 1,5	16	threaded	IP65	in stock

1 Bar = 100Kpa *The differential must be deducted from the range value.

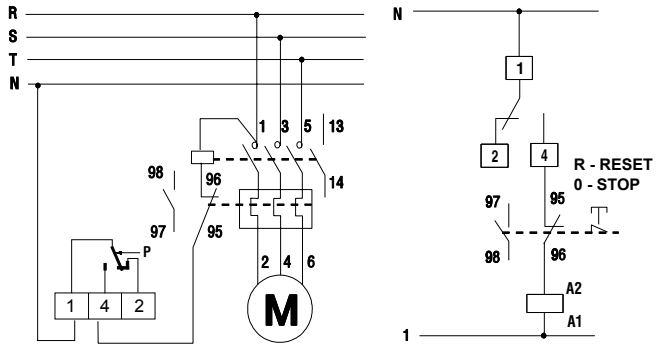
ELECTRICAL FEATURES

Snap action SPDT microswitch, with manual reset, contacts in AgCdO.



Nominal insulation tension	Ui	415V~	
Continuous duty nominal current	Ith	16A	
Operating nominal current	Ie	220V~	380/415V~
Resistive load	AC-1	-	16A
Inductive load	AC-3	-	6A
Continuous current	DC-13	0,2A	-

EXAMPLE OF ELECTRICAL WIRING



HOMOLOGATION AND STANDARDS

Complies with EN 60947-4-1 standards.

INSTALLATION

Direct installation on the pipe.
Pressure element connection G 1/4.

OPERATION

When pressure increases: 1-2 opens, 1-4 closes.

FEATURES

- Adjustable differential.
- Metallic bellows sensing element, not suitable for corrosive liquids that affect copper alloys.
- Metallic frame.
- Cover in shockproof thermoplastic material.
- Output connections with PVC cable gland.
- Maximum temperature of the controlled fluid: 100°C.
- Pressure switch body admissible temperature: -35÷60°C.
- Storage and transport temperature: -35÷60°C.
- Unit weight 0,38 Kg B13BN.
- Unit weight 0,39 Kg B13CN.

ACCESSORIES



cod. 303298LA
G1/2 cable gland in V0 self-extinguishing, shockproof thermoplastic material for output connections.