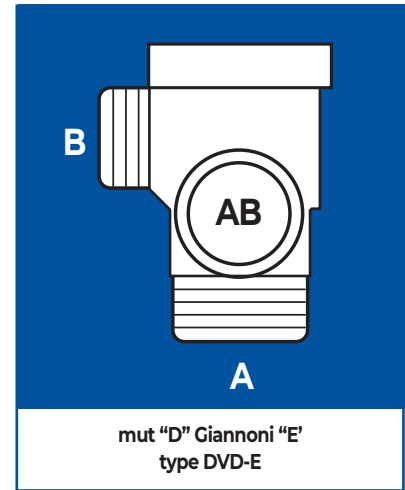
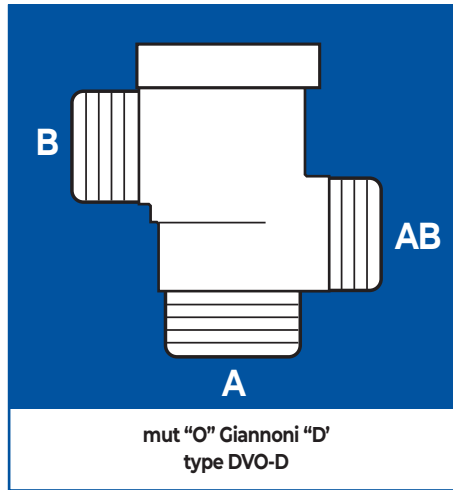
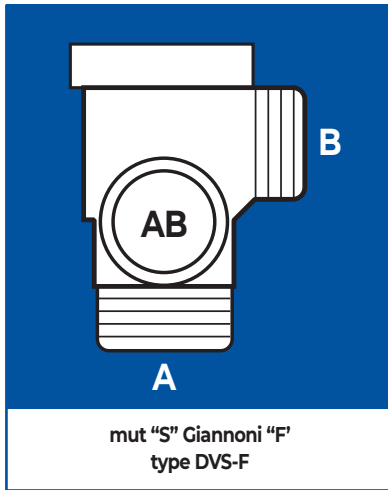


## 3 WAY VALVES FOR COMBI BOILERS WITH 2 AUXILIARY MICRO SWITCHES

Can replace all models in the market simply set angles of top section by rotation.  
 Secondary Circuit connections 1/2" x 1/2" can be set at various angles by rotation.  
 Primary circuit connections 1" x 3/4" x 3/4".

Can be configured to all models on the market.

## STANDARD UNIVERSAL VALVES



## VALVES TO FIT SPECIFIC BOILER

<b>DVS-F1</b>	<b>Ravenheat RSF</b> 20/20E, 25/20E, 25/25E, 82E 82ET, 84E, 84ET, 100E, 100ET	<b>£46.00</b>
<b>DVS-F2</b>	<b>Ravenheat RSF</b> 820/20, RSF 820/20T, CF 10/20, CF 10/25	<b>£46.00</b>
<b>DVO-D1</b>	<b>Glowworm</b> Fuel Saver CF <b>Halstead</b> Quattro, Quattro Gold, TRIO <b>Servowarm</b> Elite80 (Servotomic) <b>Sime</b> FriendlyE, Friendly Super 80E Murelle, Super 90 MkI, Super 102	<b>£46.00</b>
<b>DVO-D2</b>	<b>Worcester</b> 924 Heat Slave	<b>£46.00</b>
<b>DVO-D3</b>	<b>Potterton</b> Lynx 1	<b>£46.00</b>
<b>DVO-D4</b>	<b>Stelrad-Ideal</b> Sprint RS75P, Sprint 80F	<b>£46.00</b>
<b>DVD-E1</b>	<b>Worcester</b> 230, 240	<b>£46.00</b>
<b>DVD-E2</b>	<b>Ariston</b> Styx SX20 Euro combi SX20 Mffi CE Ed 1&2, DIA20 Mffi CE Ed 1&2 DIA24 Mffi CE Ed 1&2, Challenger 80E	<b>£46.00</b>
<b>DVD-E3</b>	<b>Worcester</b> 924 Electronic	<b>£46.00</b>



## UNIVERSAL DIAPHRAGM

<b>RK-1</b>	Repair Kit - Diaphragm with spindle and Spring	<b>£8.00</b>
<b>WP-1</b>	Fibre Washer Pack 1/2" (2) 3/4" (2) 1" (1)	<b>£1.00</b>



Need Some Help? GET IN CONTACT:

**0161 946 0088**

[banico.co.uk](http://banico.co.uk)  
[info@banico.co.uk](mailto:info@banico.co.uk)