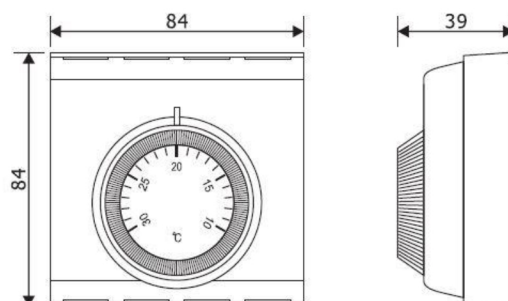


Switch Contacts	SPDT, Voltage Free
Temperature Control Range	10°C to 30°C
Switch Rating	16A @ 230Vac
Insulation	Class II
Switching Differential	0.5°C
Ambient	40°C Maximum
ErP Class	1
Connection Type	2 Wire
Contribution to System Energy Efficiency	1%

- ✓ Suitable for Heating or Cooling Systems
- ✓ Suitable for Combination Boilers
- ✓ Suitable for surface or switch box mounting
- ✓ Easy to wire terminals with built-in conductor clamps
- ✓ Can be used to directly switch a circulating pump or boiler or
- ✓ Can be used to operate spring return motor Zone Valve



- Raised dial for ease of use
- Changeover contact switching (cooling loads)
- Double Insulated – No Earth wire required for operation
- Dual Diaphragm temperature sensing element for close temperature control for all loads and applications.
- Heat Anticipator
- Modern design for locating in living spaces



TERMINAL CONNECTIONS

