

MAGNETIC LEVEL CONTROLS WITH FLANGE CONNECTION

USE FOR Ad22 - AD23

- Suitable for control and regulation of liquid level in small under pressure tanks (6 bar) such as sterilizers, autoclaves, steam machines, drink vending machines etc.
- Controlled liquid must have a specific gravity from 0.7 to 1.1 kg/dm³

INSTALLATION AND OPERATION

- Operation by permanent magnets in opposition
- Flange connection UNI 2223 - DIN32 - Pn6

TECHNICAL FEATURES

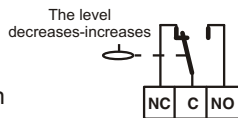
- Moulded stainless steel casing
- Float, connection flange and all parts in contact with liquid are in AISI 316 L stainless steel.
- G 3/8" brass cable gland

HOMOLOGATION AND OPERATION

Complies with CEI EN 60947-5-1 standards

ELECTRICAL FEATURES FOR AD 22

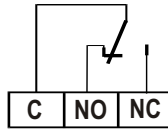
- SPDT microswitch
- Increasing level: opens C - NC closes C - NO.
- Electrical connection with 6.35 Faston



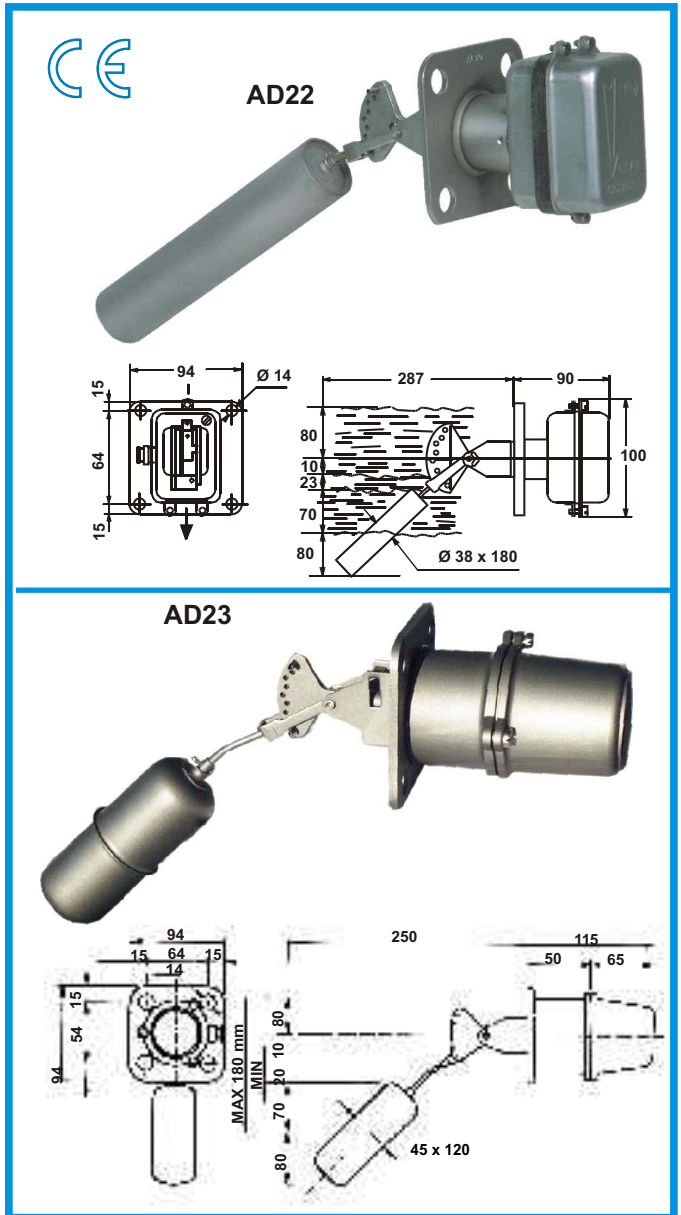
Nominal insulation tension	Ui 380V~		
Continuous duty nominal current	Ith 10A		
Operating nominal current Ie:	220V~	250V~	
Resistive load	AC-12	-	10A
Inductive load	AC-15	-	3A
Direct current	DC-13	0.2A	-

ELECTRICAL FEATURES FOR AD 23

- SPDT microswitch
- Increasing level: closes 1-3 opens 1-2



Nominal insulation tension	Ui 380V~		
Continuous duty nominal current	Ith 10A		
Operating nominal current Ie:	250V~	250V~	
Resistive load	AC-12	-	15A
Inductive load	AC-15	-	10A
Direct current	DC-13	0.25A	-



TYPE	Level differential mm	Max. working pressure bar	Max. temp. of the liquid °C	Working temperature °C	Tropicalization	Protection	Weight each Kg	Box pcs. No
AD22	25 to 175	6	150	-25 to 70	No	IP54	1.2	
*AD23	20 to 180	6	150	-25 to 70	No	IP54	1.3	
*AD23A	20 to 180	6	150	-25 to 70	Yes (esec. Teflon)	IP54	1.3	

* A richiesta esecuzione a 16 bar con flangia spessore 14 mm

WIRING CONNECTION

