

Product Introduction

The FSL-1 Water Flow Switch can open or close most of the electric equipment.

Feature

- * Used widely: such as air-condition, heating and water system and so on.
- * When the flow run or stop, the SPDT switch will connect one loop and cut off another.
- * It can be connected the wiring easily, and the shell cover is removable.
- * All galvanization parts of switch bone is done with extra anti-corrosion function.

Specification

Working Press.	1.0MPa	Contact Life	1000K Cyc
PN	1.75MPa	Bellow Life	50K Cyc
Resistance	>100W.DC500VM	Temperature	MAX. 100°C
Dielectric Withstand	AC1500V/1min	Thread	G1"

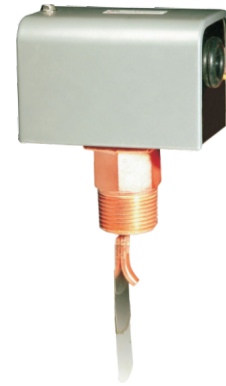
Contact Capacity

Type	Voltage Rating	Load
AC	AC125V AC250V	5A 2.5A
DC	DC115V DC250V	0.3A 0.15A

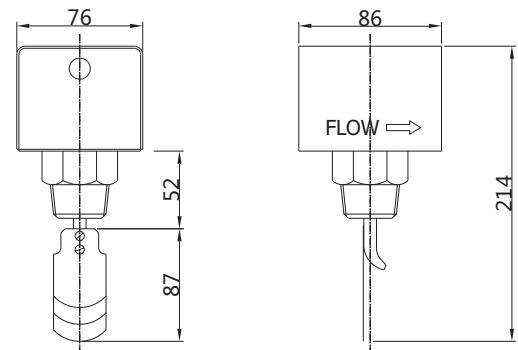
Flow Control Range

Pipe	MM	25	32	38	50	65	76
	Inch	1	1-1/4	1-1/2	2	2-1/2	3
Minimum Adjustment	LPM	22.71	37.09	48.1	71.2	91.9	113.6
	LPM	13.62	21.20	26.49	35.57	43.9	45.4
Maximum Adjustment	LPM	38.6	63.6	87	124.1	160.5	197.2
	LPM	34.82	56.8	73.8	90.8	141.9	174.5

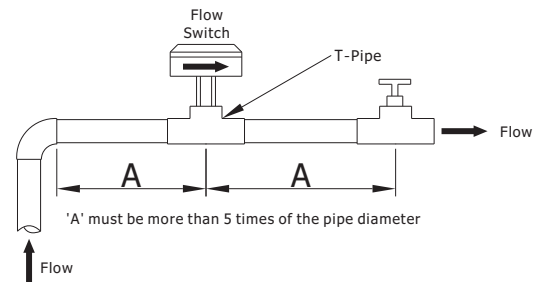
Note: This table is experiment data. It needs to be considered 10% surplus. (LPM: kilolitre/minute)



Dimension



Installation



Wiring

