

MAGNETIC LEVEL CONTROLS

USE

- Suitable to control and monitor the fluid level in open and under pressure tanks up to 10 bars.
- Suitable for liquids with a specific weight between 0.9 - 1.1 kg/dm³
- Used in installations with autoclaves to control the filling pump - or automatically reset the air vessel

INSTALLATION AND OPERATION

- Operation by permanent magnets in opposition
- G 1 1/4" male connection; key 36mm

TECHNICAL FEATURES

- Antishock, thermoplastic material casing
- Non-toxic thermoplastic material float Ø 38x70
- Selection of two fixed level differentials
- Brass body
- G 3/8" cable gland

HOMOLOGATION AND STANDARDS

- Complies with CEI EN 60947-5-1 standards

ELECTRICAL FEATURES

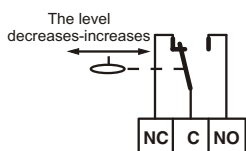
- SPDT microswitch in accordance with CSA standards.

-INCREASING LEVEL:

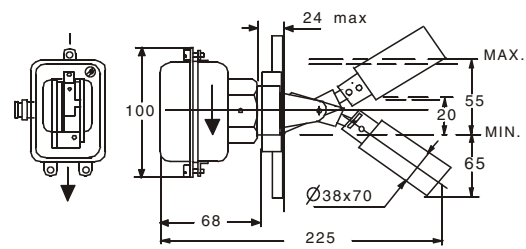
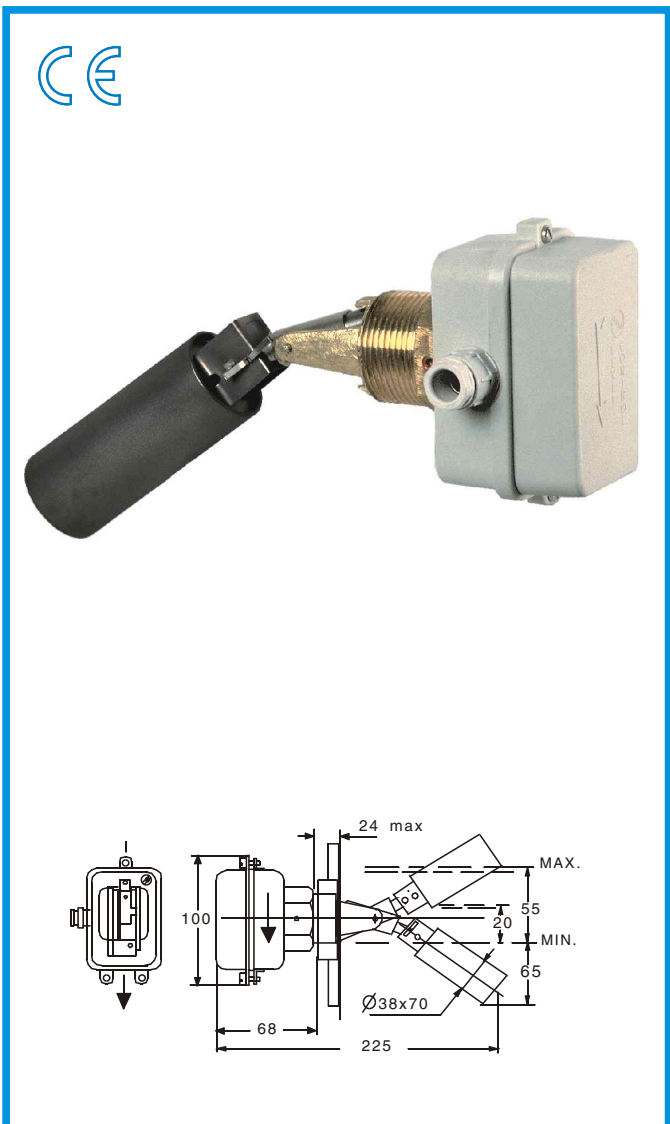
closes C - NO

opens C - NC

- Electrical connection with 6.3 Faston



Nominal insulation tension	Ui	380V~
Continuous duty nominal current	Ith	10A
Operating nominal current	Ie:	220V- 250V~
Resistive load	AC-12	- 10A
Inductive load	AC-15	- 3A
Direct current	DC-13	0.2A -



TYPE	Level differential mm	Max. working pressure bar	Max. temperature of the liquid °C	Working temperature °C	Protection	Weight each Kg.	Box pcs. No.
AD52P	20 55	10	0 ÷ 100*	70	IP54	0.6	

* Per il controllo di acqua potabile: 85°C max. consigliati

ACCESSORIES

Stainless steel float Ø 38X90 suitable for liquid with temperature up to 110 °CE.....**EAD01**

SPECIAL EXECUTION (ask for offer)

With G 1" male connection and float in non toxic thermoplastic resin Ø30X100.....**AD52PS1**

WIRING CONNECTION TO AUTOMATICALLY RESTORE THE AIR SPACE IN THE AUTOCLAVE

