

# Tie rods cylinders to ISO 15552 standard

# series CPUI

1



## DESCRIPTION

Cylinders series “CPUI” comply with ISO 15552 standard, being in this way completely interchangeable with the well-known cylinders to ISO 6431 standard. They’re available from Ø 32 to Ø 200. These cylinders are supplied cushioned as standard and, in the version with magnetic piston type can be supplied with magnetic sensors.

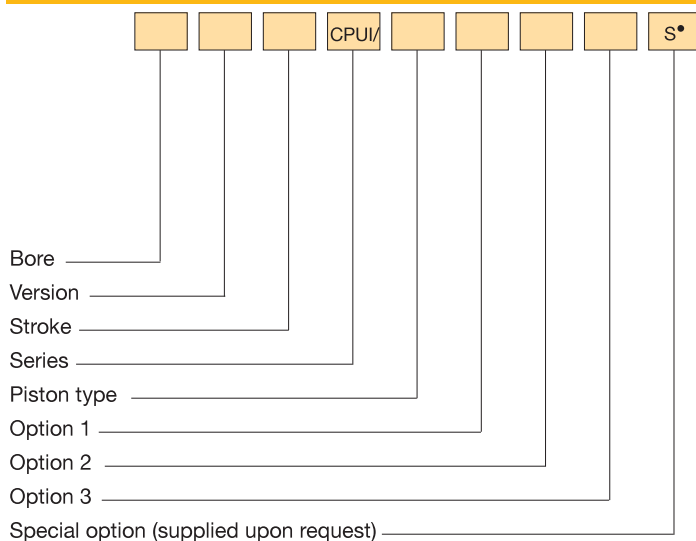
## TECHNICAL DATA

Operating pressure	1 ÷ 10 bar
Working temperature	0 ÷ +80 °C (-20 °C with dry air) 0 ÷ +150 °C with seals for high temperatures (-10 °C with dry air)
Fluid	Filtered, unlubricated or continuous lubricated compressed air
Versions	Double acting; Single acting front spring; Single acting rear spring; Through rod; Double push tandem; Double stroke tandem; Opposed tandem
Bore	Ø 32, 40, 50, 63, 80, 100, 125, 160, 200
Port size	Ø 32 = G 1/8 Ø 40 - 50 = G 1/4 Ø 63 - 80 = G 3/8 Ø 100 - 125 = G 1/2 Ø 160 - 200 = G 3/4
Standard strokes (mm)	25, 50, 75, 80, 100, 125, 150, 160, 175, 200, 250, 300, 320, 350, 400, 450, 500, 550, 600, 650, 700, 800, 900, 1000
Decelerators length	Ø 32 40 50 63 80 100 125 160 200 mm 21 23 26 30 33 37 37 40 40
Max strokes (mm)	Ø 32 ÷ 200 = 3000
Max strokes single act. (mm)	Ø 32 ÷ 63 = 50; Ø 80 - 100 = 100

## MATERIALS

End caps	Aluminium alloy, cathoporesis-treated
Cylinder barrel	Ø 32 ÷ 125: extruded profile, 20 µm anodized aluminium alloy Ø 125 ÷ 200: extruded tube, 20 µm anodized aluminium alloy
Tie rods, tie and rod nuts	Steel Stainless steel (supplied upon request for tie rods and tie nuts)
Piston rod	C45 chromium-plated steel AISI 303 rolled stainless steel
Piston rod bearing	Bronze-Iron 20%, sintered, self-lubricating
Decelerator ogives	Aluminium alloy
Piston	NBR rubber block (supplied with and without magnet) Viton® (supplied only without non-magnetic piston)
Seals	NBR rubber Viton®

## ORDER KEY



N.B.: *Magnetic sensors* FM 100 - FM157 - FM158 (see chapter magnetic sensors from page 1.93)  
• See technical data on page 0.12

## VERSION

/ Double acting	T Double push tandem
S Single acting front spring	P Double stroke tandem
Y Single acting rear spring	V Opposed tandem
R Through rod	

## PISTON TYPE

N Non-magnetic	M Magnetic
----------------	------------

## OPTION 1

Z Fit for piston rod locking unit \*

## OPTION 2

1 Stainless steel piston rod and rod nut	3 Stainless steel piston rod and rod nut and seals for high temperatures**
2 Seals for high temperatures**	

## OPTION 3

5 Extruded profile barrel (only for Ø 125)

\* Supplied from Ø 32 al Ø 125

\*\* Supplied only with non-magnetic piston type

## ORDER EXAMPLES

Cylinder Ø50, double acting, 100 mm stroke, magnetic piston type, fit for piston rod locking unit 50/100 CPUI/MZ

Cylinder Ø63, through rod, 150 mm stroke, magnetic piston type, stainless steel piston rod 63R150 CPUI/M1

Cylinder Ø80, double push tandem, 50 mm stroke, magnetic piston type 80T50 CPUI/M

Cylinder Ø80, double stroke tandem, 50 mm stroke 1 + 100 mm stroke 2, magnetic piston type 80P50+100 CPUI/M

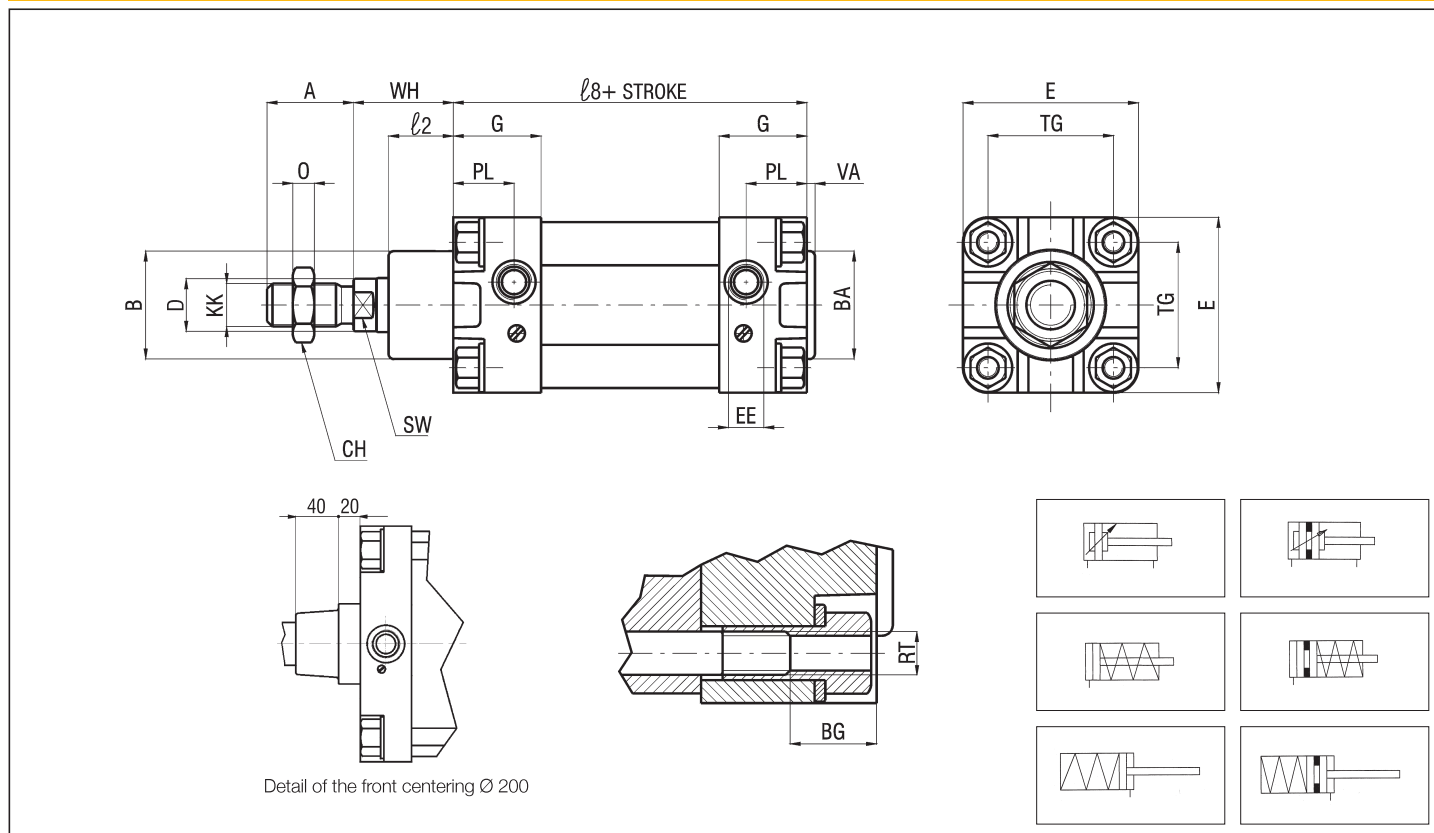
Cylinder Ø80, opposed tandem, 50 mm stroke 1 + 50 mm stroke 2, magnetic piston type, stainless steel piston rod 80V50+50 CPUI/M1

## SPARE PARTS

SEALS KIT		
Non-magnetic piston type	NBR	Ø/SG/CPUI/N
	Through rod, NBR	Ø/SG/R/CPUI/N
	For high temperature	Ø/SG/CPUI/N2
	Through rod	Ø/SG/R/CPUI/N2
Magnetic piston type	NBR	Ø/SG/CPUI/M
	Through rod, NBR	Ø/SG/R/CPUI/M

1

### CPUI BASIC CYLINDER



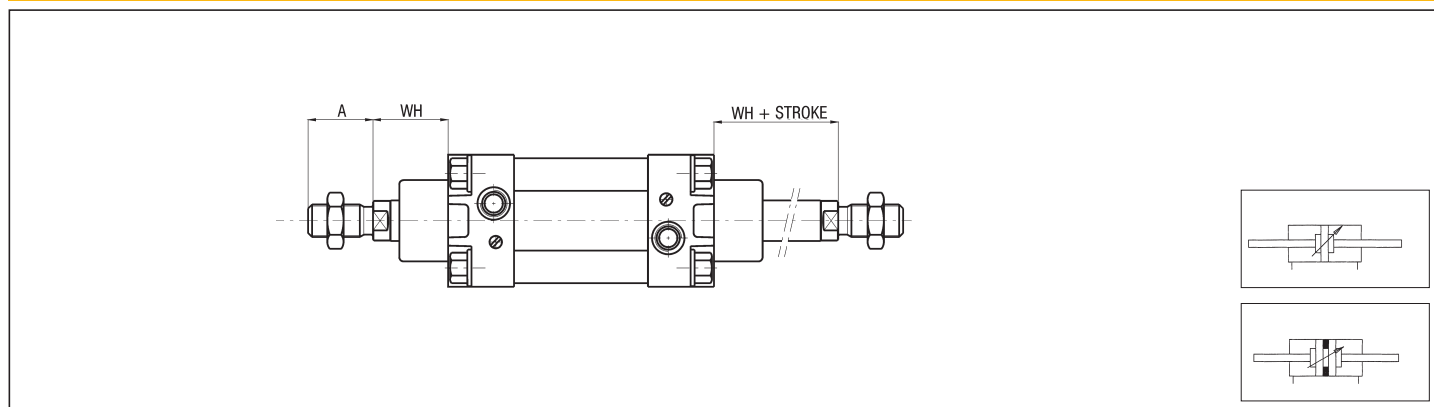
P.S.: Rod nuts supplied as standard

### DIMENSIONS AND WEIGHTS BASIC CYLINDER

$\varnothing$	A*	BA* B*	BG*	CH	RT*	E*	EE*	G	D	KK*	$l$	$l_2^*$	$l_8^*$	O	PL*	R	SW*	TG*	VA*	WB	WH*	WEIGHT (g)	INCREMENT (g) every 10 mm
32	22	30	16	17	M6	47	G 1/8	27	12	M10x1,25	160	15	94	6	18	7	10	32,5	3	86	26	520	28
40	24	35	16	19	M6	54	G 1/4	30	16	M12x1,25	185	20	105	7	20	7	13	38	3	100	30	810	36
50	32	40	16	24	M8	65	G 1/4	32,5	20	M16x1,5	172	24	106	8	22,5	7	17	46,5	3	127	37	1235	55
63	32	45	16	24	M8	75	G 3/8	37	20	M16x1,5	197	24	121	8	23,5	9	17	56,5	4	127	37	1790	58
80	40	45	16	30	M10	95	G 3/8	37	25	M20x1,5	216	32	128	9	23	9	22	72	4	156	46	2900	80
100	40	55	16	30	M10	114	G 1/2	40	25	M20x1,5	234	36	138	9	24,5	9	22	89	4	161	51	4080	104
125	54	60	20	41	M12	140	G 1/2	46	32	M27x2	268	50	160	12	24	-	27	110	6	205	65	6070	126
160	72	65	24	55	M16	180	G 3/4	50	40	M36x2	310	60	180	15	24	-	36	140	6	-	80	13100	210
200	72	75	24	55	M16	220	G 3/4	48	40	M36x2	310	60	180	15	24	-	36	175	6	-	95	18200	290

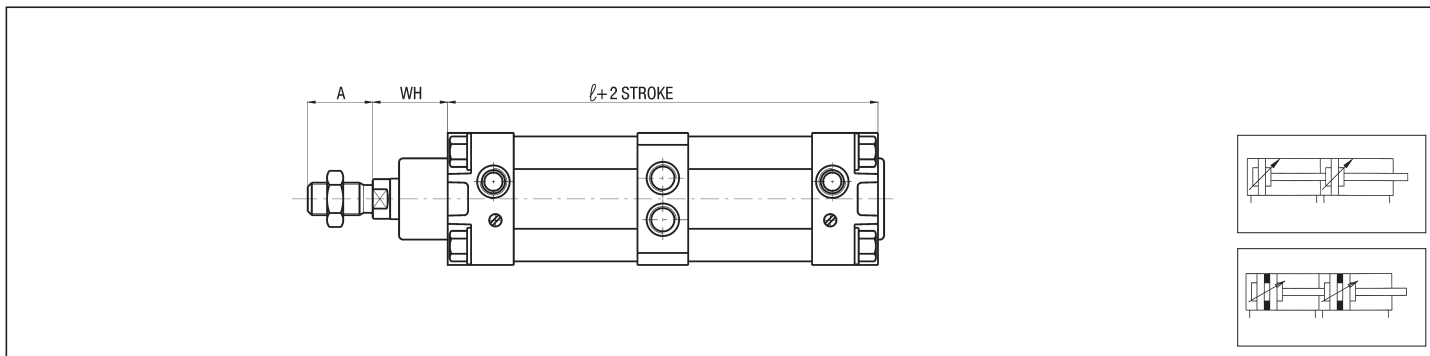
\* STANDARDIZED DIMENSIONS

### THROUGH ROD



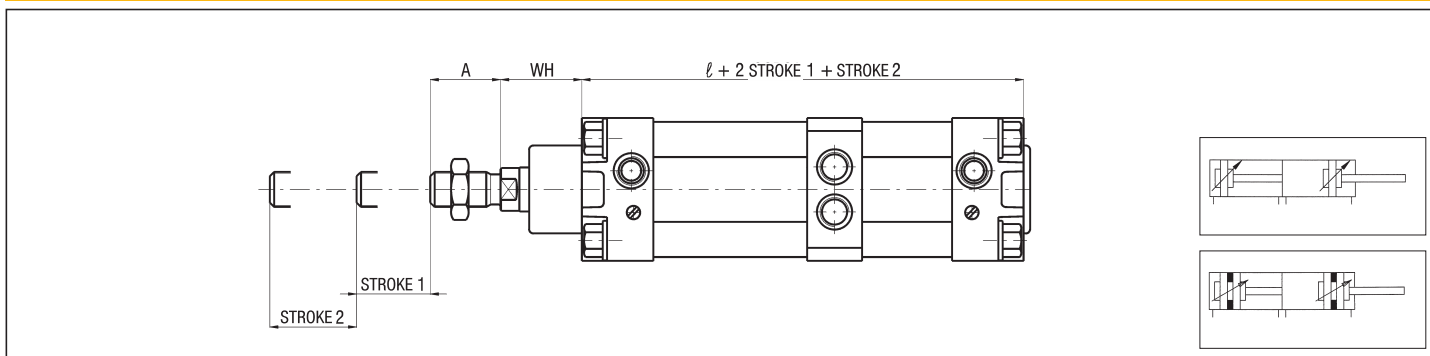
P.S.: Rod nuts supplied as standard

DOUBLE PUSH TANDEM



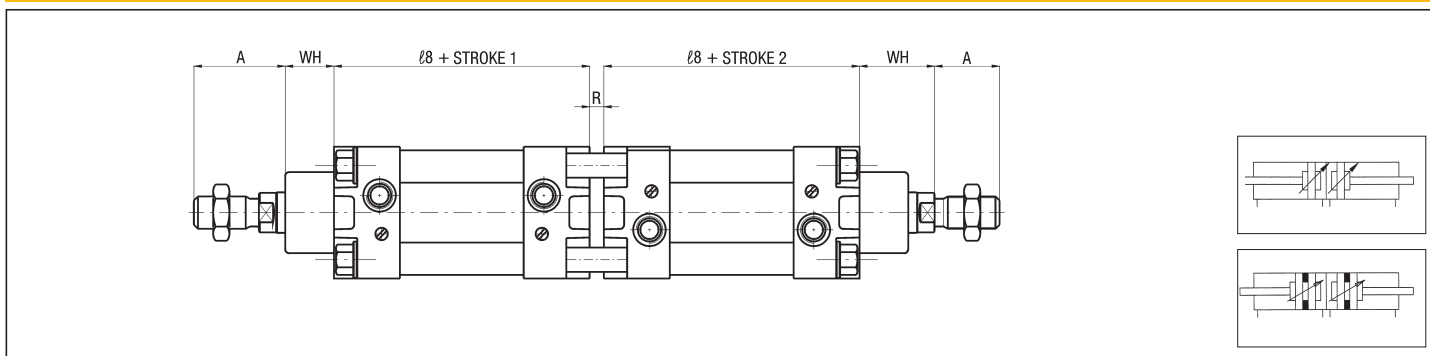
P.S.: Rod nut supplied as standard

DOUBLE STROKE TANDEM



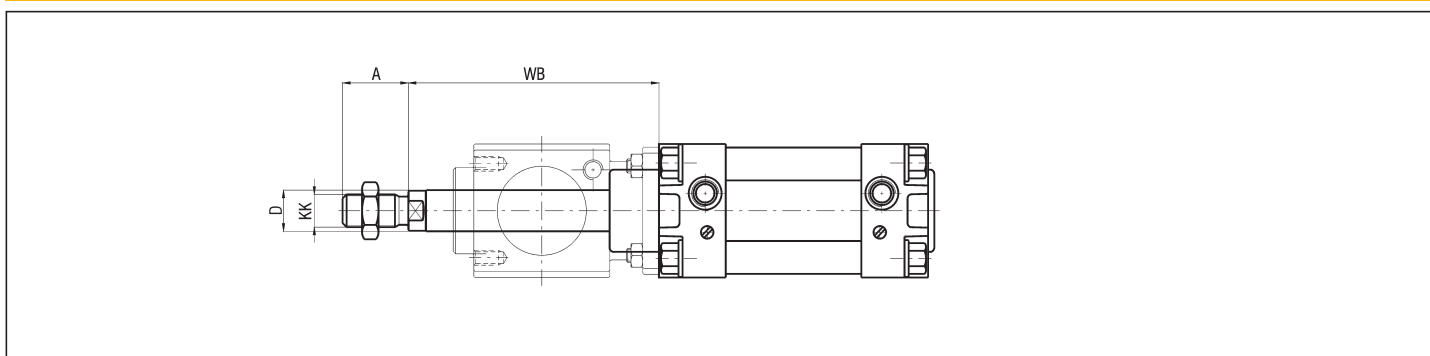
P.S.: Rod nut supplied as standard

OPPOSED TANDEM



P.S.: Rod nuts supplied as standard

FIT FOR PISTON ROD LOCKING UNIT



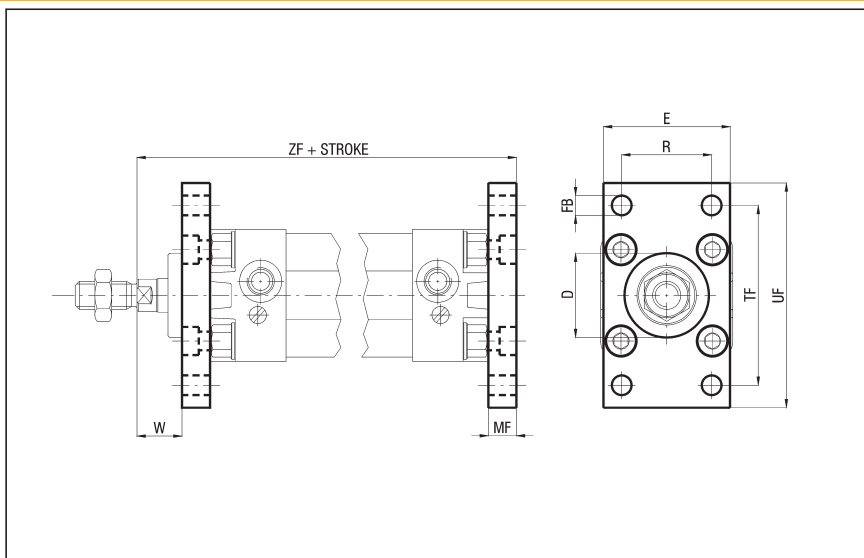
P.S.: Rod nut supplied as standard

1

### FLANGE - STEEL - CPUI/F Ø (supplied with screws)

Ø	D H11	FB H13	E	MF JS14	R JS14	TF JS14	UF
32	30	7	45	10	32	64	80
40	35	9	52	10	36	72	90
50	40	9	65	12	45	90	110
63	45	9	75	12	50	100	120
80	45	12	95	16	63	126	150
100	55	14	115	16	75	150	170
125	60	16	140	20	90	180	205
160	65	18	180	20	115	230	260
200	75	22	220	25	135	270	300

Ø	W	ZF	WEIGHT (g)
32	16	130	190
40	20	145	246
50	25	155	478
63	25	170	622
80	30	190	1430
100	35	205	1986
125	45	245	3750
160	60	280	6350
200	70	300	11350

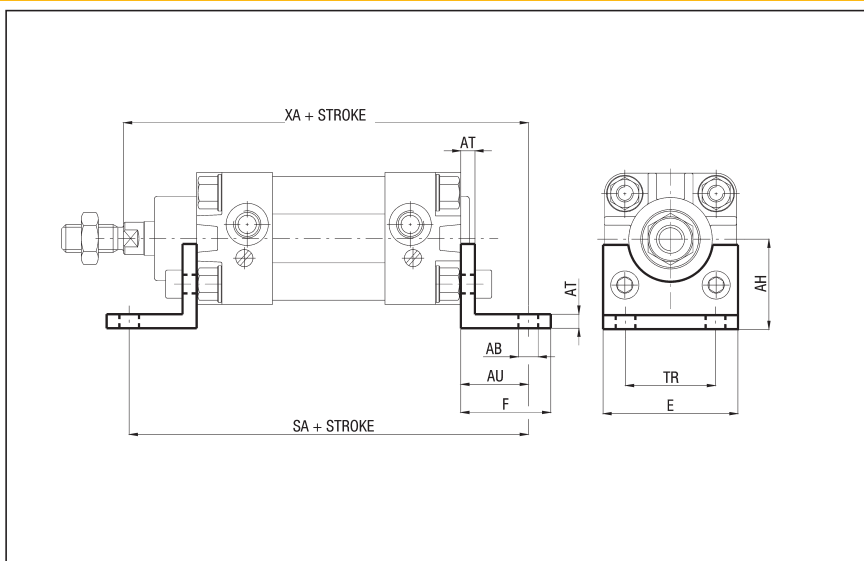


AVAILABLE IN AISI 316 STAINLESS STEEL FROM Ø 32 TO Ø 100, SCREWS EXCLUDED

### FOOT - STEEL - CPUI/PB Ø (supplied with screws)

Ø	AB H14	AH JS15	AT	AU	E	F	SA
32	7	32	4	24	45	35	142
40	9	36	4	28	52	36	161
50	9	45	5	32	65	47	170
63	9	50	5	32	75	45	185
80	12	63	6	41	95	55	210
100	14	71	6	41	115	57	220
125	16	90	8	45	140	70	250
160	18	115	10	60	180	75	300
200	22	135	12	70	220	100	320

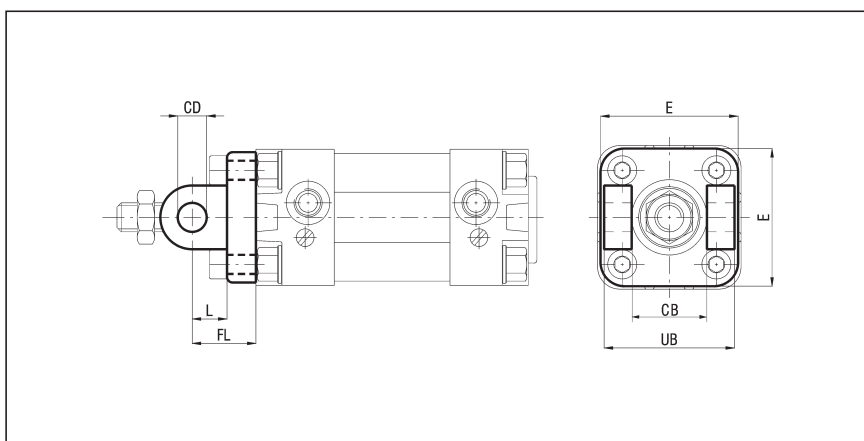
Ø	TR JS14	XA	WEIGHT (g)
32	32	144	66
40	36	163	78
50	45	175	168
63	50	190	190
80	63	215	382
100	75	230	452
125	90	270	1090
160	115	320	1188
200	135	345	3450



AVAILABLE IN AISI 316 STAINLESS STEEL FROM Ø 32 TO Ø 100, SCREWS EXCLUDED

### FRONT FEMALE HINGE - NOT CONFORM TO ISO STANDARD - ALUMINIUM - CPUI/GFA Ø (supplied with screws)

Ø	CB	CD H9	E	FL	L	UB h14	WEIGHT (g)
32	26	10	45	22	13	45	48
40	28	12	52	25	16	52	75
50	32	12	65	27	16	60	124
63	40	16	75	32	21	70	192
80	60	16	95	36	22	90	380
100	70	20	115	41	27	110	620
125	90	25	140	50	30	130	1180
160	90	30	180	55	35	170	1780
200	110	30	220	60	35	170	2900

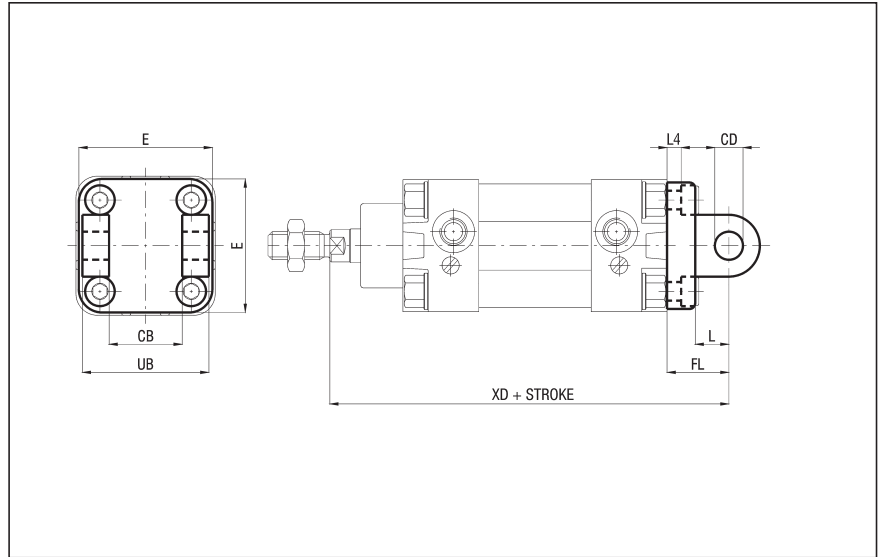


**REAR FEMALE HINGE**  
(Supplied with screws)

- ALUMINIUM - CPUI/CF Ø
- ALUMINIUM WITH BUSHINGS - CPUI/CF Ø B
- STEEL - CPUI/CF Ø AC

Ø	CB H14	CD H9	E	FL	L	L4	UB h14
32	26	10	45	22	13	5,5	45
40	28	12	52	25	16	5,5	52
50	32	12	65	27	16	6,5	60
63	40	16	75	32	21	6,5	70
80	50	16	95	36	22	10	90
100	60	20	115	41	27	10	110
125	70	25	140	50	30	10	130
160	90	30	180	55	35	10	170
200	90	30	220	60	35	11	170

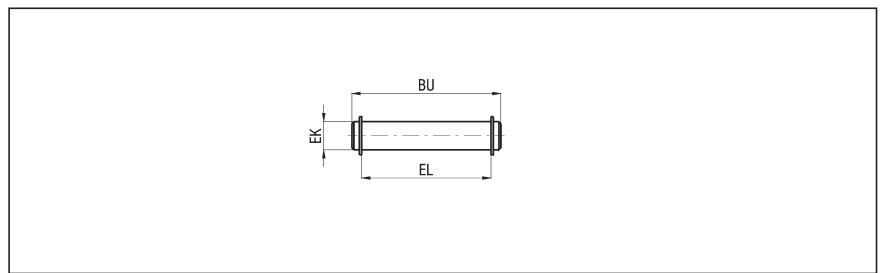
Ø	XD	WEIGHT	
		ALL. (g)	STEEL (g)
32	142	48	138
40	160	75	230
50	170	124	338
63	190	192	540
80	210	380	1000
100	230	620	1700
125	275	1180	3350
160	315	1780	5750
200	335	2900	8900



AVAILABLE IN AISI 316 STAINLESS STEEL FROM Ø 32 TO Ø 125, SCREWS EXCLUDED

**PIVOT FOR REAR FEMALE HINGE (ALUMINIUM) - STEEL - CPU/CPUI/SEC Ø**  
(STEEL) - GALVANIZED NITRIDED STEEL - CPUI/SEC Ø AC

Ø	BU	EK f7	EL	WEIGHT (g)
32	53	10	46	32
40	60	12	53	52
50	68	12	61	60
63	78	16	71	122
80	98	16	91	152
100	118	20	111	290
125	139	25	132	530
160	178	30	171,5	978
200	178	30	171,5	978



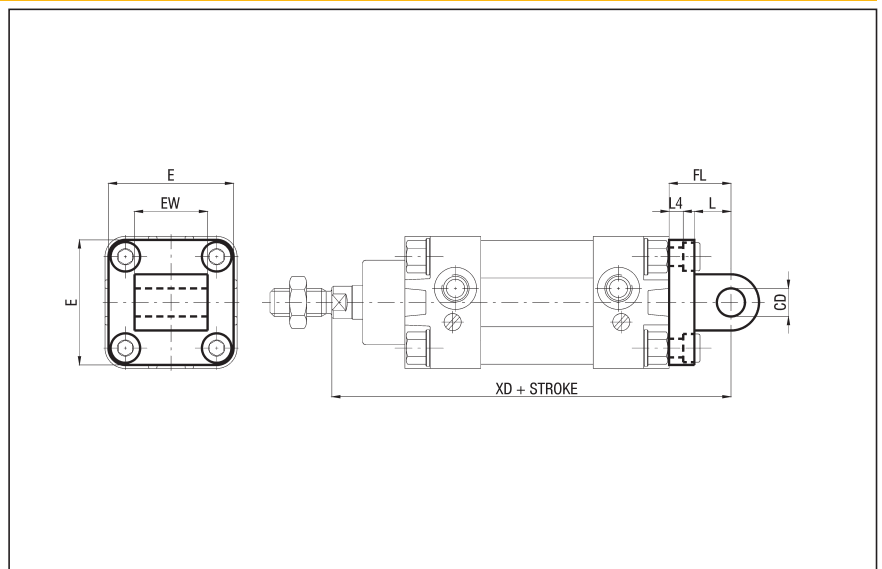
AVAILABLE IN AISI 316 STAINLESS STEEL FROM Ø 32 TO Ø 125

**MALE HINGE**  
(Supplied with screws)

- ALUMINIUM - CPUI/CM Ø
- ALUMINIUM WITH BUSHINGS - CPUI/CM Ø B
- STEEL - CPUI/CM Ø AC

Ø	CD H9	E	EW	FL	L	L4	XD
32	10	45	26	22	13	5,5	142
40	12	52	28	25	16	5,5	160
50	12	65	32	27	16	6,5	170
63	16	75	40	32	21	6,5	190
80	16	95	50	36	22	10	210
100	20	115	60	41	27	10	230
125	25	140	70	50	30	10	275
160	30	180	90	55	35	10	315
200	30	220	90	60	35	11	335

Ø	WEIGHT	
	ALL. (g)	STEEL (g)
32	54	176
40	76	274
50	124	368
63	212	682
80	420	1196
100	666	2100
125	1264	3740
160	1846	5890
200	2950	8470



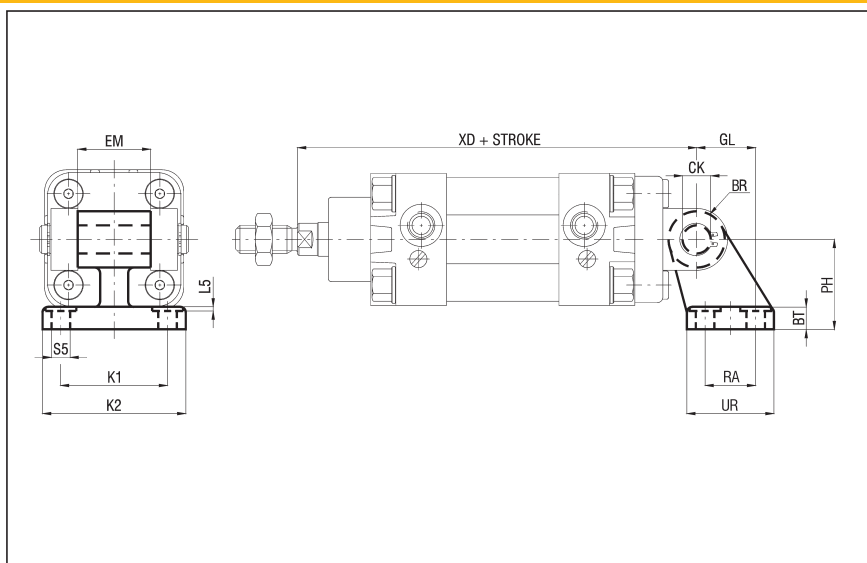
AVAILABLE IN AISI 316 STAINLESS STEEL FROM Ø 32 TO Ø 125, SCREWS EXCLUDED

1

**SQUARE JOINT - ALUMINIUM - CPUI/AS Ø**  
- STEEL - CPUI/AS Ø AC (FOR Ø 32 ÷ 125)

Ø	PH JS15	CK H9	EM	GL JS14	RA JS14	UR	BT	L5
32	32	10	26	21	18	31	8	1,6
40	36	12	28	24	22	35	10	1,6
50	45	12	32	33	30	45	12	1,6
63	50	16	40	37	35	50	14	1,6
80	63	16	50	47	40	60	14	2,5
100	71	20	60	55	50	70	17	2,5
125	90	25	70	70	60	90	20	3,2
160	115	30	90	97	88	126	25	4
200	135	30	90	105	90	130	30	4

Ø	BR	S5 H13	K1 JS14	K2	XD	WEIGHT ALL. (g)	WEIGHT STEEL (g)
32	10	6,6	38	51	142	56	158
40	11	6,6	41	54	160	139	238
50	13	9	50	65	170	142	418
63	15	9	52	67	190	200	526
80	15	11	66	86	210	312	1055
100	19	11	76	96	230	656	1360
125	22,5	14	94	124	275	826	-
160	31,5	14	118	156	315	2600	-
200	31,5	18	122	162	335	3250	-

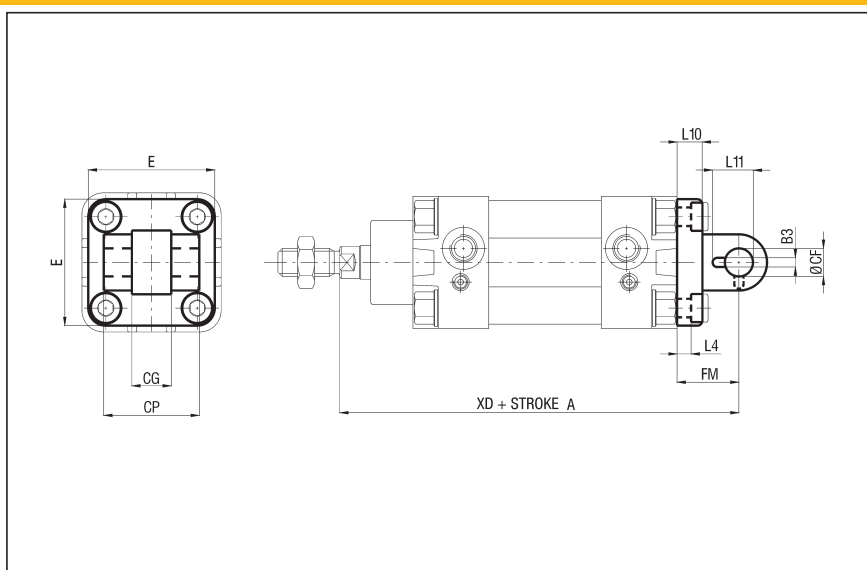


AVAILABLE IN AISI 316 STAINLESS STEEL FROM Ø 32 TO Ø 125

**NARROW REAR FEMALE HINGE - ALUMINIUM - CPUI/CFS Ø**  
(Supplied with screws) - STEEL - CPUI/CFS Ø AC (FOR Ø 32 ÷ 125)

Ø	CG D10	CP d12	B3	Ø CF F7	E	FM	L10	L11
32	14	34	3,3	10	45	22	9	16,5
40	16	40	4,3	12	52	25	9	18
50	21	45	4,3	16	65	27	11	22
63	21	51	4,3	16	75	32	11	22
80	25	65	4,3	20	95	36	14	26
100	25	75	6,3	20	115	41	14	26
125	37	97	6,3	30	140	50	20	39
160	43	122	6,3	35	180	55	20	44
200	43	122	6,3	35	220	60	25	44

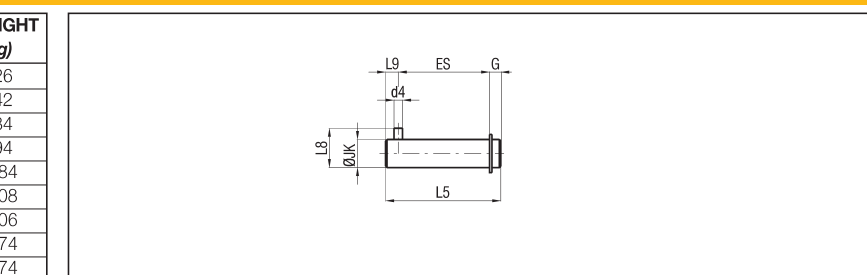
Ø	L4	XD	WEIGHT ALL. (g)	WEIGHT STEEL (g)
32	5,5	142	42	140
40	5,5	160	70	230
50	6,5	170	112	336
63	6,5	190	194	546
80	10	210	382	1190
100	10	230	610	1840
125	10	275	1100	3550
160	10	315	2000	-
200	11	335	3300	-



AVAILABLE IN AISI 316 STAINLESS STEEL FROM Ø 32 TO Ø 125, SCREWS EXCLUDED

**NON-ROTATING PIVOT FOR NARROW REAR FEMALE HINGE - GALVANIZED NITRIDED STEEL - CPUI/SEC Ø AT**

Ø	d4 H12	ØJK f7	L8	ES	L9	L5	G	WEIGHT (g)
32	3	10	14	32,5	4,5	41	4	26
40	4	12	16	38	6	48	4	42
50	4	16	20	43	6	54	5	84
63	4	16	20	49	6	60	5	94
80	4	20	24	63	6	75	6	184
100	4	20	24	73	6	85	6	208
125	6	30	36	94	9	110	7	606
160	6	35	41	119	9	135	7	974
200	6	35	41	119	9	135	7	974



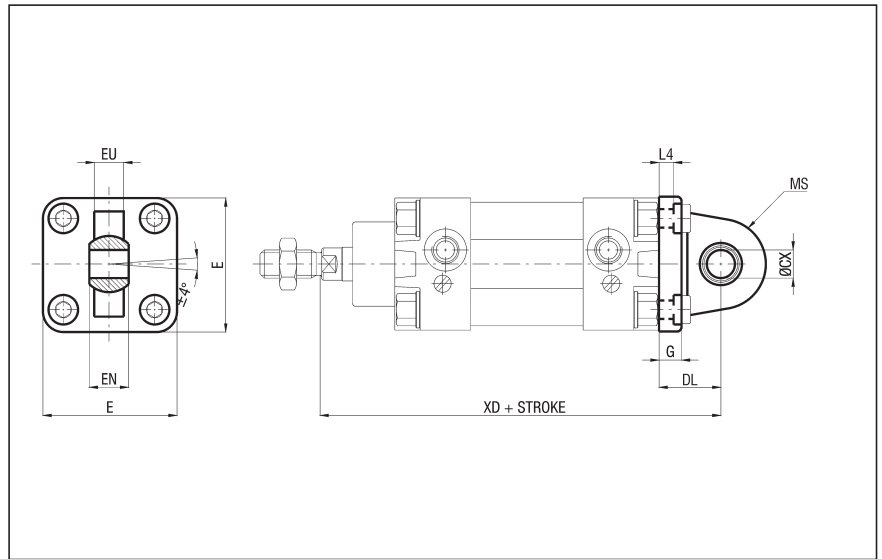
AVAILABLE IN AISI 316 STAINLESS STEEL FROM Ø 32 TO Ø 125

**NARROW MALE HINGE WITH ARTICULATED HEAD (ISO 12240)**  
(Supplied with screws)

- ALUMINIUM - CPUI/CMSS Ø  
- STEEL - CPUI/CMSS Ø AC (FOR Ø 32 ÷ 125)

Ø	ØCX H7	E	EN	MS	EU	G	DL
32	10	45	14	16	10,5	9	22
40	12	52	16	19	12	9	25
50	16	65	21	21	15	11	27
63	16	75	21	24	15	11	32
80	20	95	25	28,5	18	14	36
100	20	115	25	30	18	14	41
125	30	140	37	40	25	20	50
160	35	180	43	45	28	20	55
200	35	220	43	48	28	25	60

Ø	L4	XD	WEIGHT ALL. (g)	WEIGHT ACC. (g)
32	5,5	142	62	158
40	5,5	160	100	254
50	6,5	170	180	360
63	6,5	190	244	588
80	10	210	476	1118
100	10	230	646	1810
125	10	275	1410	3500
160	10	315	2385	-
200	11	335	3860	-

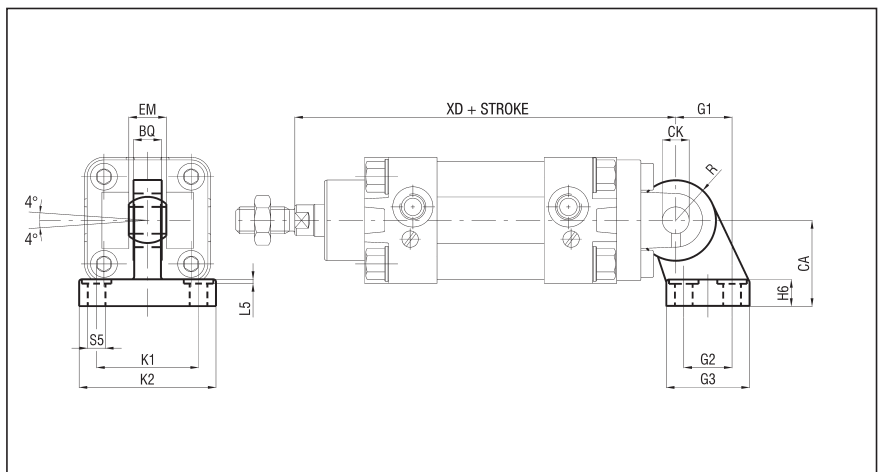


AVAILABLE IN AISI 316 STAINLESS STEEL FROM Ø 32 TO Ø 125, SCREWS EXCLUDED

**SQUARE JOINT WITH ARTICULATED HEAD (ISO 12240) - STEEL- CPUI/ASSS Ø AC**

Ø	CA JS15	BQ	CK H7	EM	G1 JS14	G2 JS14	G3	H6
32	32	10,5	10	14	21	18	31	10
40	36	12	12	16	24	22	35	10
50	45	15	16	21	33	30	45	12
63	50	15	16	21	37	35	50	12
80	63	18	20	25	47	40	60	14
100	71	18	20	25	55	50	70	15
125	90	25	30	37	70	60	90	20

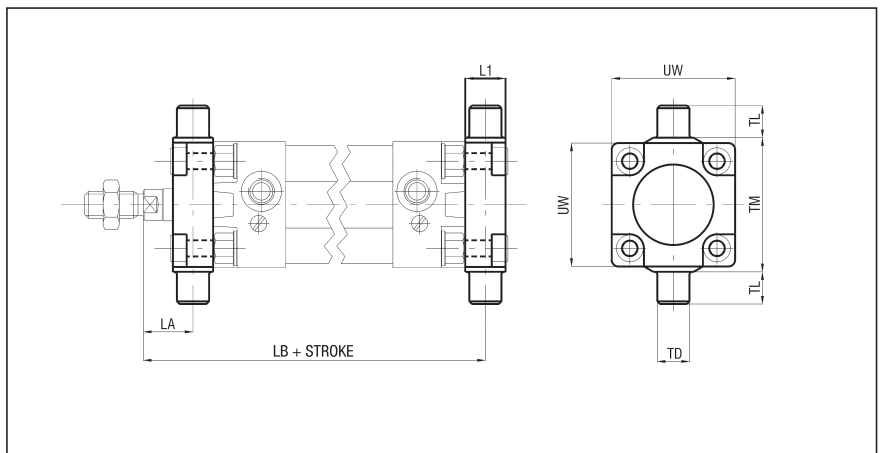
Ø	K1 JS14	K2	L5	R	S5 H13	XD	WEIGHT (g)
32	38	51	1,6	15	6,6	142	178
40	41	54	1,6	18	6,6	160	268
50	50	65	1,6	20	9	170	458
63	52	67	1,6	23	9	190	550
80	66	86	2,5	27	11	210	970
100	76	96	2,5	30	11	230	1326
125	94	124	3,2	40	13,5	275	3000



AVAILABLE IN AISI 316 STAINLESS STEEL FROM Ø 32 TO Ø 125

**FLOATING HINGE - STEEL - CPUI/CTA Ø (Supplied with screws)**

Ø	L1	LA	LB	TD e9	TL h14	TM h14	UW	WEIGHT (g)
32	14	19	127	12	12	50	46	137
40	19	20,5	144,5	16	16	63	59	385
50	19	27,5	152,5	16	16	75	69	513
63	24	25	170	20	20	90	84	1041
80	24	34	186	20	20	110	102	1563
100	29	37,6	203,5	25	25	132	125	3000



1

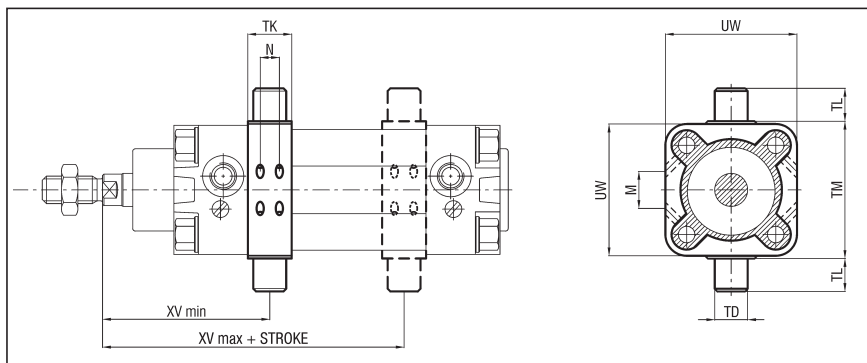
### INTERMEDIATE HINGE - STEEL - EXTRUDED PROFILE - CPUI/CT Ø (Supplied with dowels)

Ø	M ± 0,3	N ± 0,3	TD e9	TK max	TL h14	TM h14	UW max	XV min	XV max	WEIGHT (g)
32	13,5	7	12	18	12	50	48,5	62	84	130
40	19	8	16	20	16	63	59	70	95	238
50	24,5	8	16	20	16	75	71	79,5	100,5	318
63	28	12	20	26	20	90	85	87	108	608
80	36,5	12	20	26	20	110	105	96	124	928
100	42,5	15	25	32	25	132	129	107	133	1562
125	59,5	15	25	33	25	160	154	127,5	163	2600

AVAILABLE IN AISI 316 STAINLESS STEEL FROM Ø 32 TO Ø 100, SCREWS EXCLUDED

PS.: ADJUSTABLE POSITION (fixing through dowels)

ASSEMBLY: CPUI/CT Ø + cylinder series "CPUI"  
type M/CPUI/CT Ø



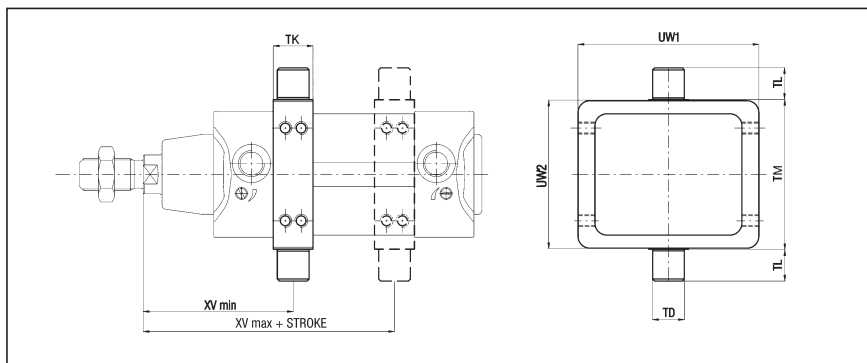
### INTERMEDIATE HINGE - STEEL - "CLEAN PROFILE" - X/CT Ø (Supplied with dowels)

Ø	TK	TD e9	TL h14	TM 0/-0,3	UW1	UW2	XV min	XV max	WEIGHT (g)
32	18	12	12	50	70	50	56	85	250
40	20	16	16	63	78	62	63	95	410
50	20	16	16	75	91	74	66	96	530
63	25	20	20	90	94	88	75	108,5	775
80	25	20	20	110	130	109	78,5	115,5	1430
100	30	25	25	132	145	130	89	123	1950

AVAILABLE IN AISI 316 STAINLESS STEEL FROM Ø 32 TO Ø 100

PS.: ADJUSTABLE POSITION (fixing through dowels)

ASSEMBLY: X/CT Ø + cylinder series "X"  
type M/X/CT Ø



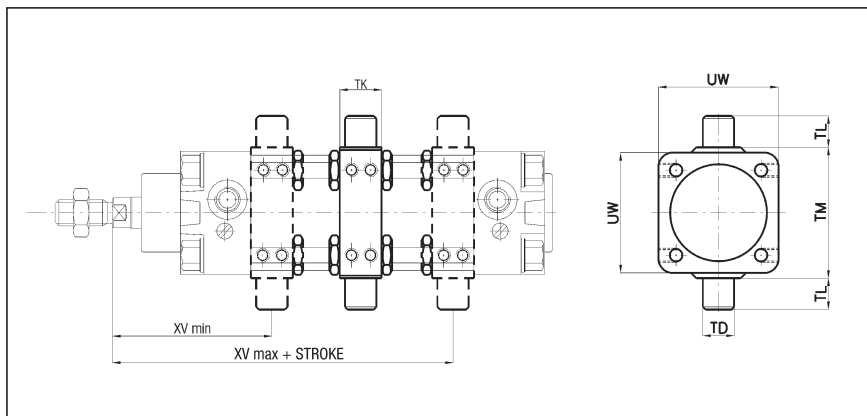
### INTERMEDIATE HINGE - STEEL - EXTRUDED TUBE WITH TIE RODS - CX/CPUI/CT Ø (Supplied with dowels)

Ø	TK	M	TD e9	TL h14	TM h14	UW	XV min
125	32	12,25	25	25	160	155	127
160	40	16,25	32	32	200	190	150
200	40	16,25	32	32	250	240	163

Ø	XV max	WEIGHT (g)
125	163	2600
160	190	4300
200	207	7450

PS.: - FIXED POSITION (specify dimension "XV", fixed on cylinder with completed threaded and galvanized tie rods type "S6", see on page 0.12)  
- ADJUSTABLE POSITION (fixing through dowels)

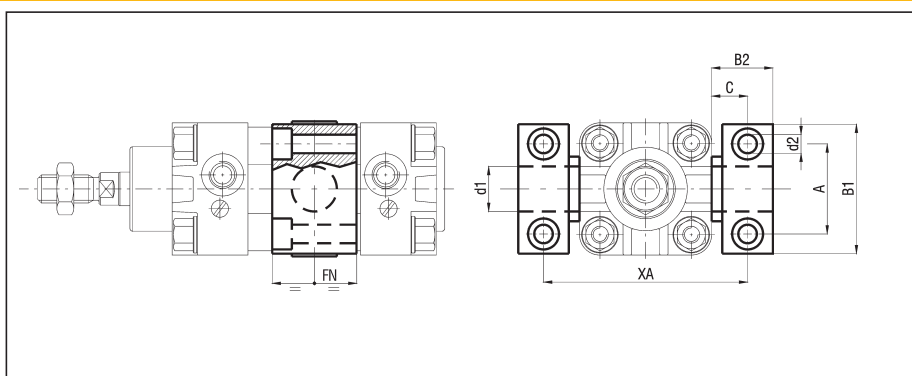
ASSEMBLY (FIXED): CX/CPUI/CT Ø + cylinders series "CPUI S6"  
type MF/CX/CPUI/CT Ø



### SUPPORT FOR INTERMEDIATE HINGE - STEEL - CPUI/SCT Ø

Ø	A	B1	B2	C	d1 F7	d2 H13	FN
32	32	46	18	10,5	12	6,6	30
40-50	36	55	21	12	16	9	36
63-80	42	65	23	13	20	11	40
100-125	50	75	28,5	16	25	14	50
160-200	60	92	40	22,5	32	18	60

Ø	XA	WEIGHT (g)
32	71	100
40-50	87-99	150
63-80	116-136	234
100-125	164-192	435
160-200	245-295	850





**DESCRIPTION**

Piston rod locking unit series “WBZ” is a mechanical device to fit on ISO 15552 cylinders (series X and CPUi); its function is to lock the piston rod in any position. This solution allows to lock the cylinder stroke each time that there’s a pressure fall. Locking force is, in any case, higher than the force given off by the cylinder fed at 10 bar. It has static operation (cylinder piston rod not moving); it’s necessary to preliminary stop the cylinder piston rod before proceeding with mechanical locking. Piston rod locking unit series “WBZ” must not be considered as a safety device.



1

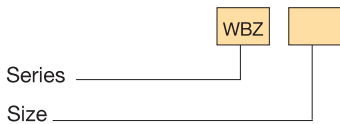
**TECHNICAL DATA**

Release pressure	3 ÷ 6 bar with cylinder feed pressure 0 ÷ 10 bar							
Working temperature	0 ÷ +80 °C (-5 °C with dry air)							
Fluid	Filtered, unlubricated or continuous lubricated compressed air							
Size	32, 40, 50, 63, 80, 100, 125							
Port size	Ø 32 ÷ 63 = G 1/8 Ø 80 ÷ 125 = G 1/4							
Locking type	Mechanical – Only axial (bi-directional)							
Release	Through pneumatic control							
Condition in absence of pressure	Locked							
Locking force with static load	Size	32	40	50	63	80	100	125
	N	790	1240	1930	3060	5400	7700	12040

**MATERIALS**

Body	Anodized aluminium alloy
Blades	Brass
Pistons	Acetal resin
Seals	NBR rubber
Springs	Steel

**ORDER KEY**



**ORDER EXAMPLES**

Piston rod locking unit, size 50 WBZ50  
 Piston rod locking unit, size 80 + cylinder series “CPUi” Ø80, 150 mm stroke, fit for piston rod locking unit, non-magnetic piston type, ASSEMBLED: WBZ80 + 80/150 CPUi/NZ + M/WBZ

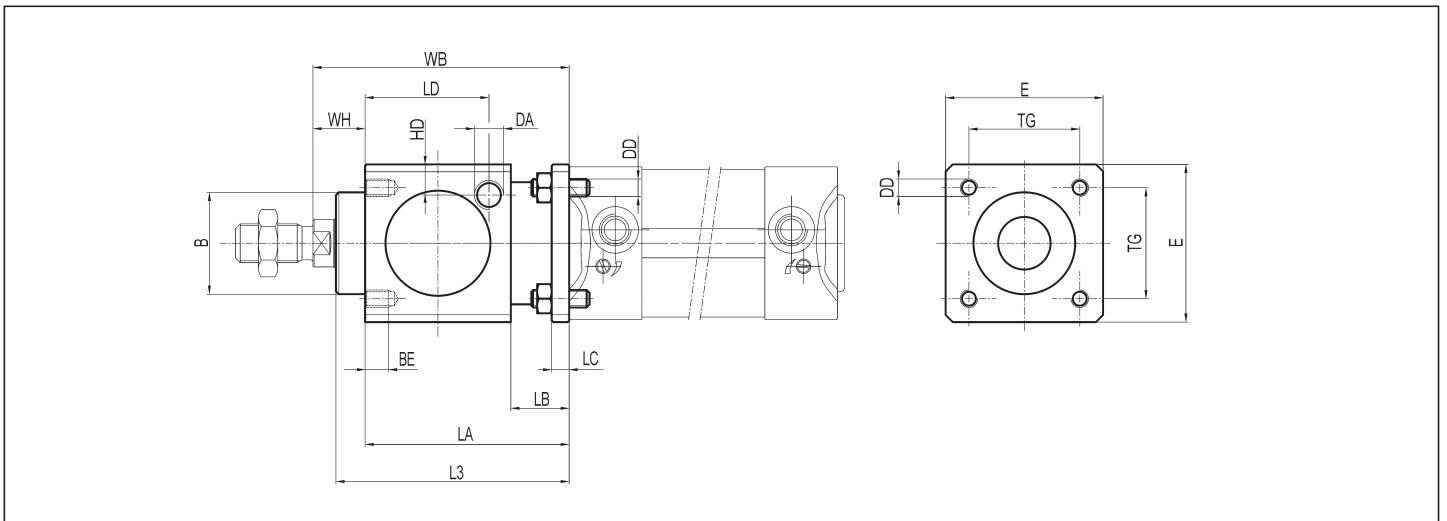
**SPARE PARTS**

BLADES KIT	Size/PM/WBZ
PISTON KIT	Size/SG/WBZ

**ASSEMBLY**

“WBZ” + cylinder series “X” or “CPUi”, “Z” version	M/WBZ
--	-------

**WBZ PISTON ROD LOCKING UNIT**



**DIMENSIONS AND WEIGHTS**

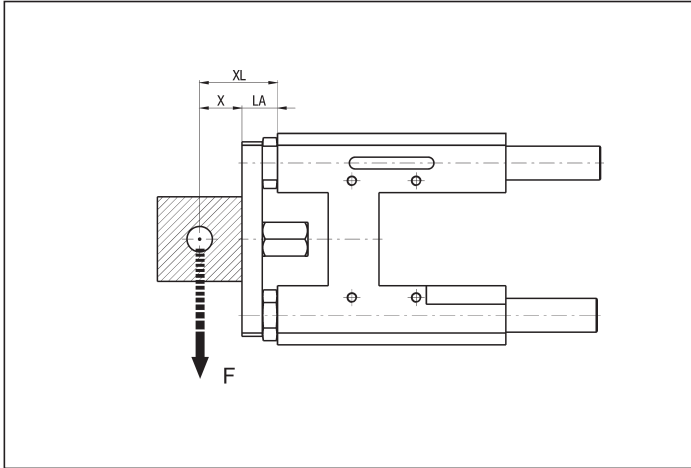
SIZE	B	BE	E	DA	DD	HD	L3	LA	LB	LC	LD	TG	WB	WH	WEIGHT (g)
32	30	8	47	G 1/8	M6	9	67,5	60	20	6	33,25	32,5	86	26	400
40	34,9	8	54	G 1/8	M6	9	80	70	20	6	42,5	38	100	30	600
50	40	12	65	G 1/8	M8	12,5	100	90	24	8	58	46,5	127	37	1100
63	45	12	75	G 1/8	M8	17,5	100	90	24	8	59	56,5	127	37	1500
80	45	16	95	G 1/4	M10	17,5	120	110	32	12	69	72	156	46	2600
100	55	16	114	G 1/4	M10	20	120	110	32	12	69	89	161	51	3500
125	60	20	138	G 1/4	M12	19	156	140	45	20	84,5	110	205	65	6500

P.S.: TECHNICAL INFORMATION (see the same ones for cylinders series “U” on page 1.7)

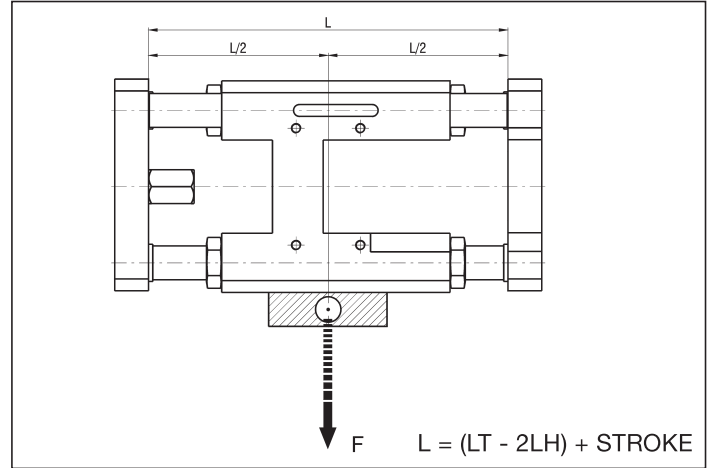


TECHNICAL INFORMATION

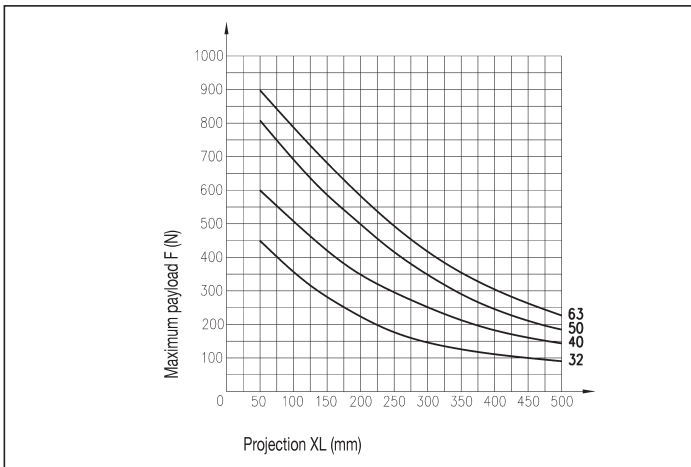
WUG SINGLE GUIDE UNIT



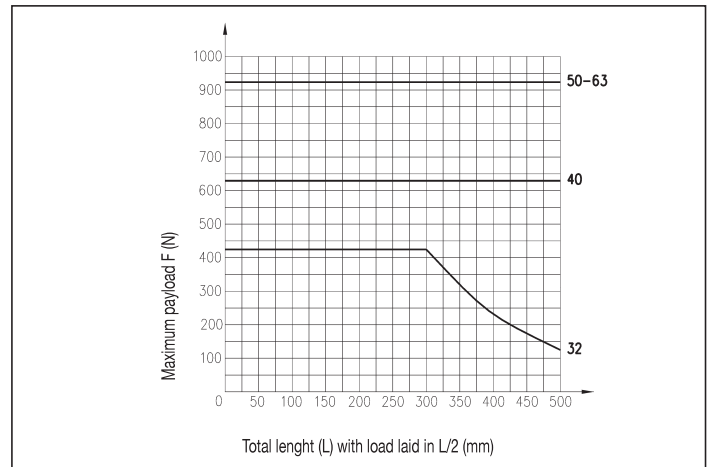
WUGD DOUBLE GUIDE UNIT



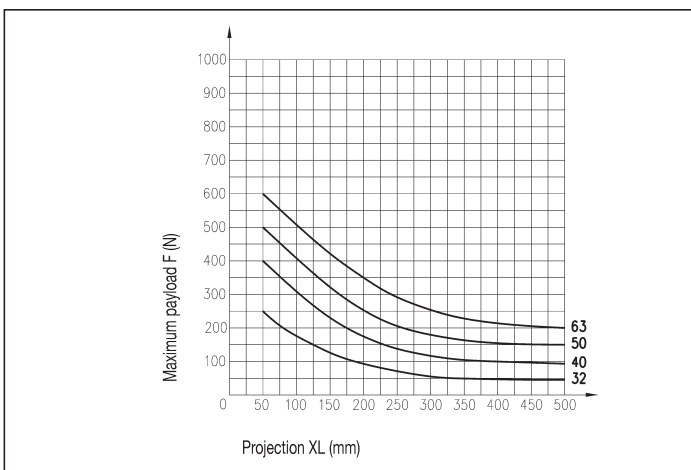
MAXIMUM PERMISSIBLE LOAD-WUG VERSION B



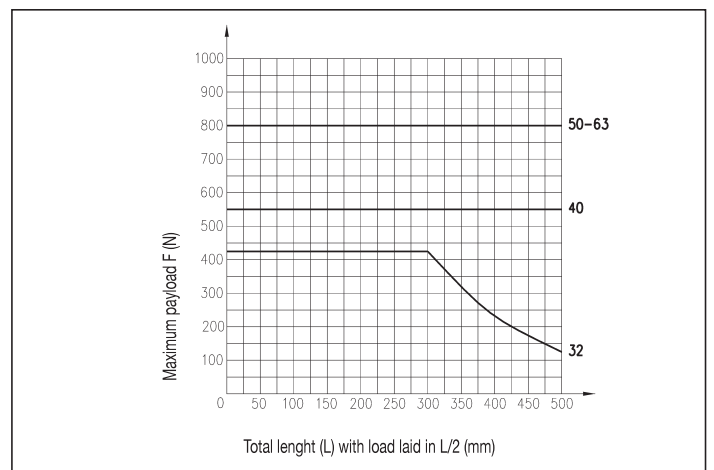
MAXIMUM PERMISSIBLE LOAD-WUGD VERSION B



MAXIMUM PERMISSIBLE LOAD-WUG VERSION M

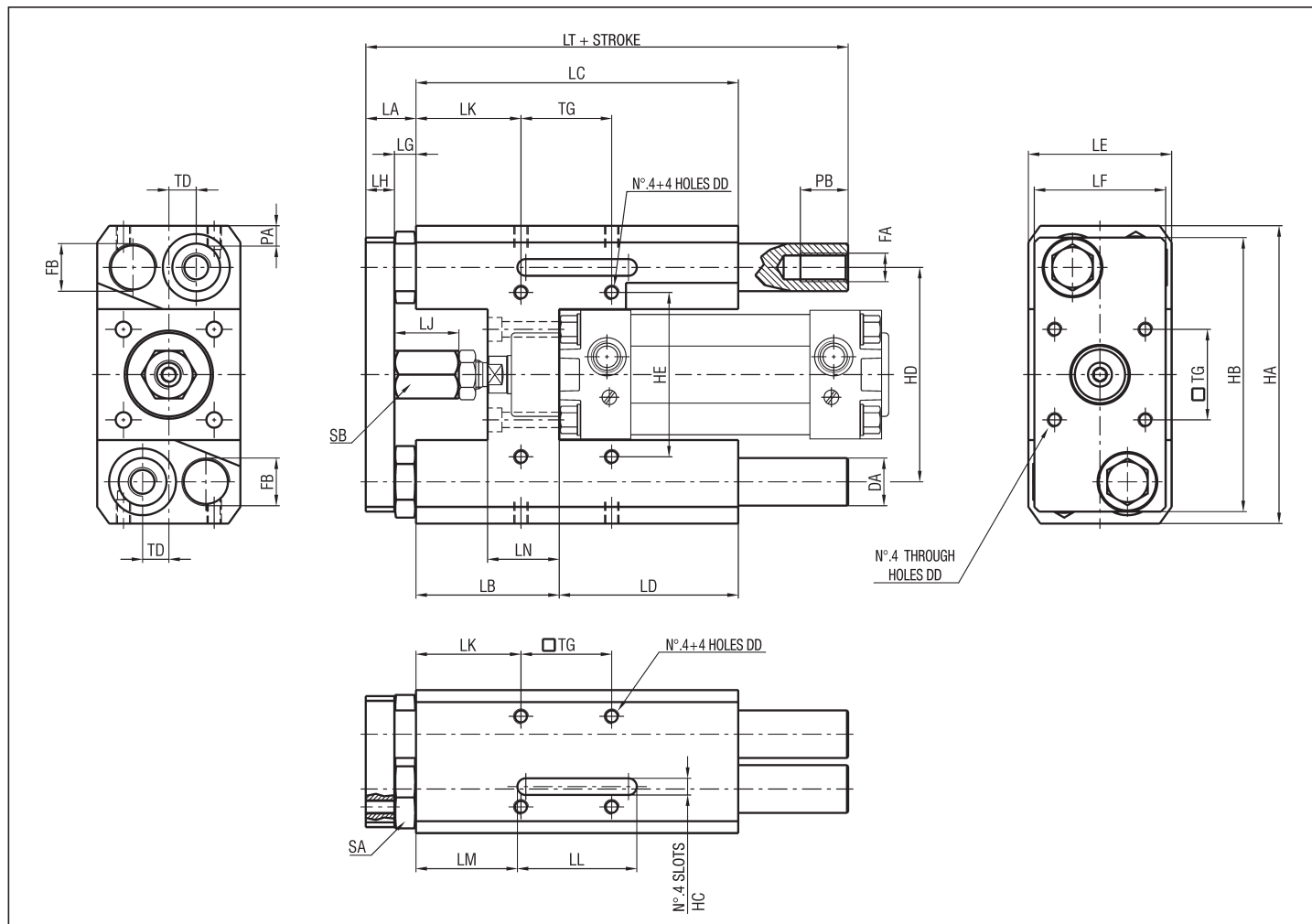


MAXIMUM PERMISSIBLE LOAD-WUGD VERSION M



#### WUG SINGLE GUIDE UNIT

1



#### DIMENSIONS AND WEIGHTS

SIZE	DA	DD	FA	FB	HA	HB	HC	HD	HE	LA	LB	LC	LD	LE	LF	LG	LH
32	16	M6	M10x1,25	M18x1,5	112	100	7	79	61	20	50	120	70	50	45	8	12
40	20	M6	M12x1,25	M20x1,5	125	115	7	90	69	21	60	135	75	60	55	9	12
50	25	M8	M16x1,5	M24x2	150	144	7	108	85	25	70	150	80	70	65	10	15
63	25	M8	M16x1,5	M27x2	162	155	7	119	100	27	73	180	107	80	75	12	15

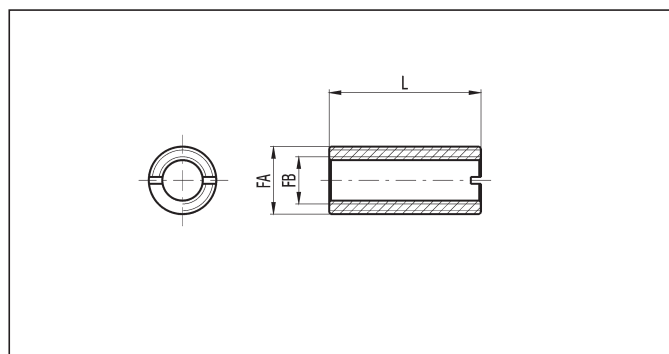
SIZE	LJ	LK	LL	LM	LN	LT	PA	PB	SA	SB	TD	TG	WEIGHT WUGB (g)	INCREM. (g) every 10 mm	WEIGHT WUGM (g)	INCREM. (g) every 10 mm
32	22	38	50	34,5	25	157	6	15	Ch.23	Ch.17	12	32,5	2060	29	1815	31
40	27	44	50	42,5	30	172	8	20	Ch.26	Ch.20	15	38	2905	45	2760	50
50	32	47	50	50	35	190	8	25	Ch.30	Ch.20	17,5	46,5	4780	65	4525	76
63	32	49,5	50	65	35	225	9,5	25	Ch.36	Ch.20	17	56,5	6315	65	5950	87

#### CLAMP FOR DECELERATOR - WUGCD SIZE

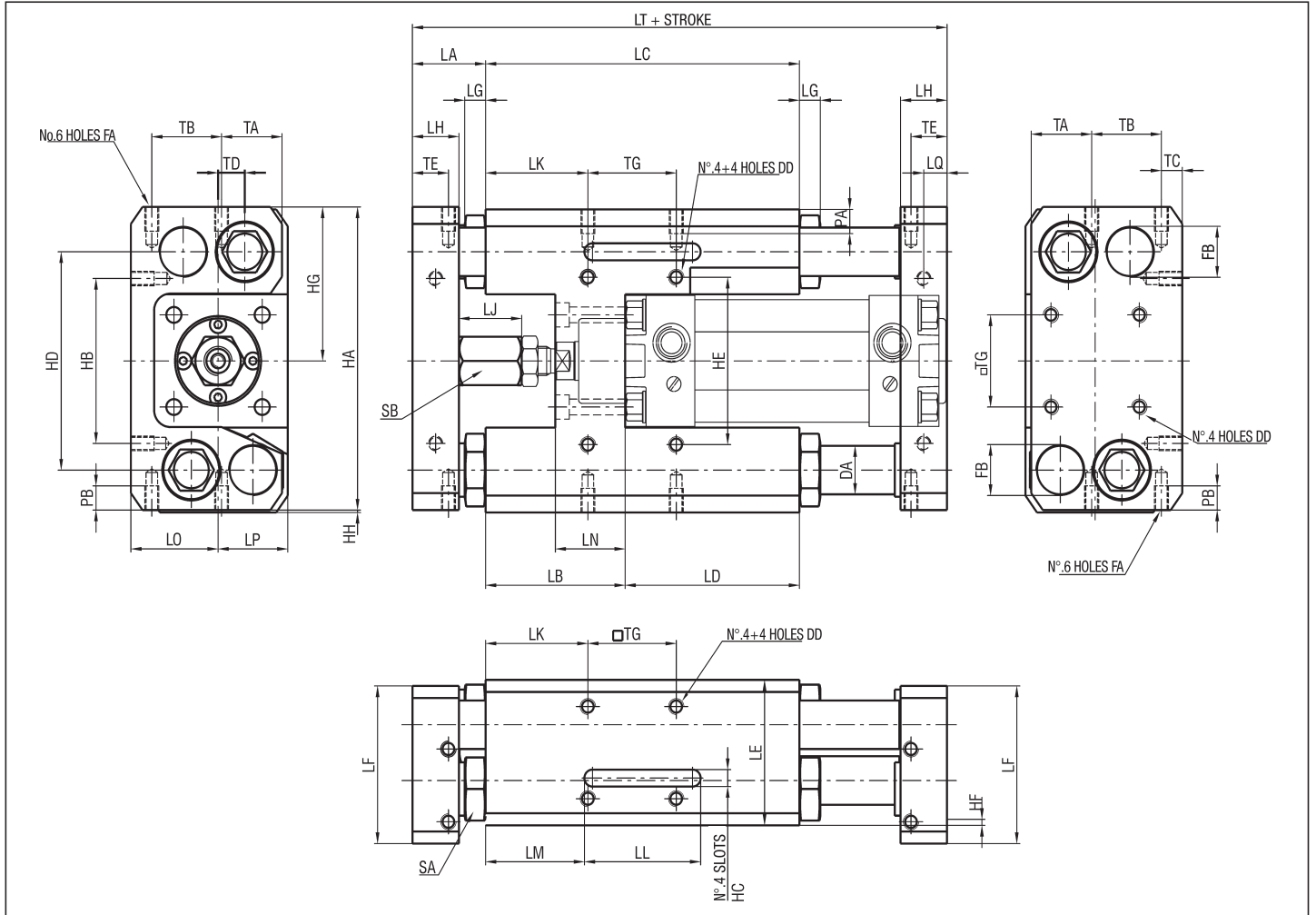
SIZE	FA	FB	L	WEIGHT (g)
32	M18x1,5	M12x1	40	50
40	M20x1,5	M14x1,5	45	60
50	M24x2	M16x1,5	50	105
63	M27x2	M20x1,5	60	130

#### CLAMP FOR MAGNETIC PROXIMITY SWITCH - WUGCP SIZE

SIZE	FA	FB	L	WEIGHT (g)
32	M18x1,5	M12x1	40	47
40	M20x1,5	M12x1	40	67
50	M24x2	M12x1	45	128
63	M27x2	M12x1	45	173



WUGD DOUBLE GUIDE UNIT



DIMENSIONS AND WEIGHTS

SIZE	DA	DD	FA	FB	HA	HB	HC	HD	HE	HF	HG	HH	LA	LB	LC	LD	LE
32	16	M6	M5	M18x1,5	112	60	7	79	61	1	57	1	28,5	50	120	70	50
40	20	M6	M6	M20x1,5	125	68	7	90	69	2,5	63,5	1	31,5	60	135	75	60
50	25	M8	M8	M24x2	150	79	7	108	85	1	76	1	37,5	70	150	80	70
63	25	M8	M8	M27x2	162	89	7	119	100	1	82	1	39,5	73	180	107	80

SIZE	LF	LG	LH	LJ	LK	LL	LM	LN	LO	LP	LQ	LT	PA	PB	SA	SB	TA
32	58	8	18	22	38	50	34,5	25	34	25	9	181	6	10	Ch.23	Ch.17	24
40	65	9	20	27	44	50	42,5	30	37,5	30	10	200	8	10	Ch.26	Ch.20	26
50	78,5	10	25	32	47	50	50	35	44,5	35	12,5	225	8	12	Ch.30	Ch.20	33,5
63	93	12	25	32	49,5	50	65	35	54	40	12,5	260	9,5	12	Ch.36	Ch.20	40

SIZE	TB	TC	TD	TE	TG	WEIGHT WUGDB (g) every 10 mm	INCREM. (g) every 10 mm	WEIGHT WUGDM (g) every 10 mm	INCREM. (g) every 10 mm
32	24,5	9,5	9,5	14	32,5	2320	29	2250	31
40	30	9	11,5	15,5	38	3480	45	3340	50
50	33	12	13	19	46,5	5750	65	5480	76
63	41	12	17	19	56,5	6445	65	6065	87