

## DESCRIPTION

The direct acting solenoid valves series "UM" are produced in conformity with the Directives EC 89/336, EC 92/31, EC 93/68, EC 73/23 in the 3/2 N.O. and 3/2 N.C. pneumatic functions. They are used as power valves if mounted on single and multi-station base, or as control valves if mounted, in the 3/2 pneumatic function, on body valve series "MEV" (see from page 2.16) and "MEK" (see from page 2.32).

The multi-station bases support both the 3/2 N.O. than the 3/2 N.C. solenoid valves. The wrapping could be rotated of 180° to have an opposite electric connection respect the manual override.



2

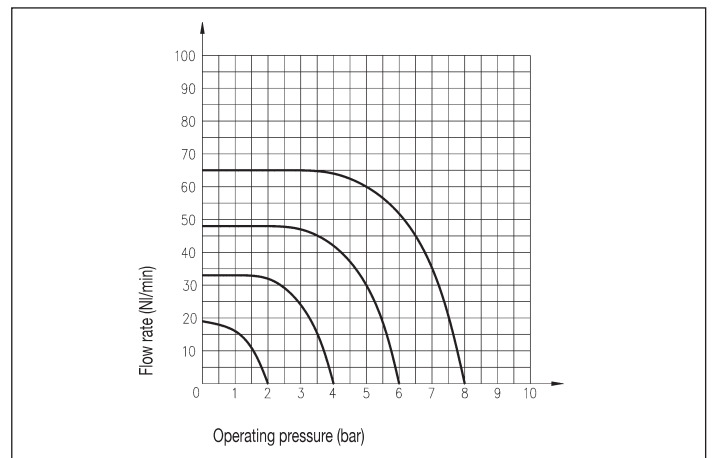
## TECHNICAL DATA

Operatin pressure	0 ÷ 7 bar N.O. 0 ÷ 10 bar N.C.
Working temperature	-5° ÷ +50° C
Fluid	Filtered, unlubricated or continuous lubricated compressed air
Nominal diameter	1.1 mm N.C. - N.O.
Max. operating frequency	≤13 Hz
Coil	Integrated in the body
Voltages	DC: 12 - 24 V AC: 24 - 110 - 220 V
Power consumption	DC: 2.3 W AC: 2.8 VA (inrush) - 2.5 VA (holding)
Voltage tolerance	-5% +10%
Protection class	IP 65 with connector MEK 192/N with VDR
Solenoid rating	F (155°C)
Electric connector	MEK192/N - see chapter Connectors on page 2.15

## MATERIALS

Core	Stainless steel AISI 430F
Body and manual override	Polyester thermoplastic
Springs	Stainless steel AISI 302
Seals	NBR rubber

## FLOW CHART - UM



## 3 PORT WITH INTERFACE

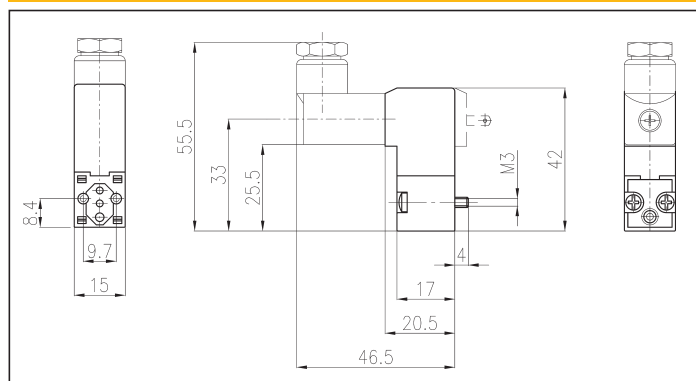
Symbol	Function	Controls		Response time at 6 bar (ms)		Flow rate (NI/min) at 6 bar ΔP = 1 bar	Manual override	Weight (g)	TYPE*
		Pilot	Return	Pilot	Return				
	3/2 N.O.	Solenoid	Mechanical spring	17	20	26	Monostable push button	40	UMASV/
	3/2 N.C.	Solenoid	Mechanical spring	13	23	30	Monostable push button	40	UMCSV/

\* SPECIFY THE VOLTAGE IN THE ORDER  
E.G.: UMCSV/02400

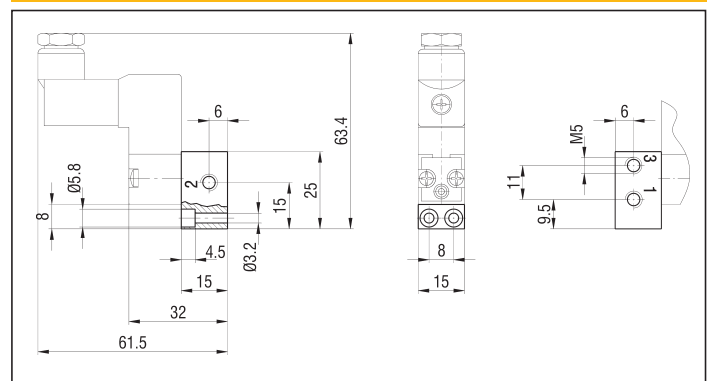
02400 = 24 V DC  
02450-60 = 24 V AC

11050-60 = 110 V AC  
22050-60 = 220 V AC

## UMASV - UMCSV

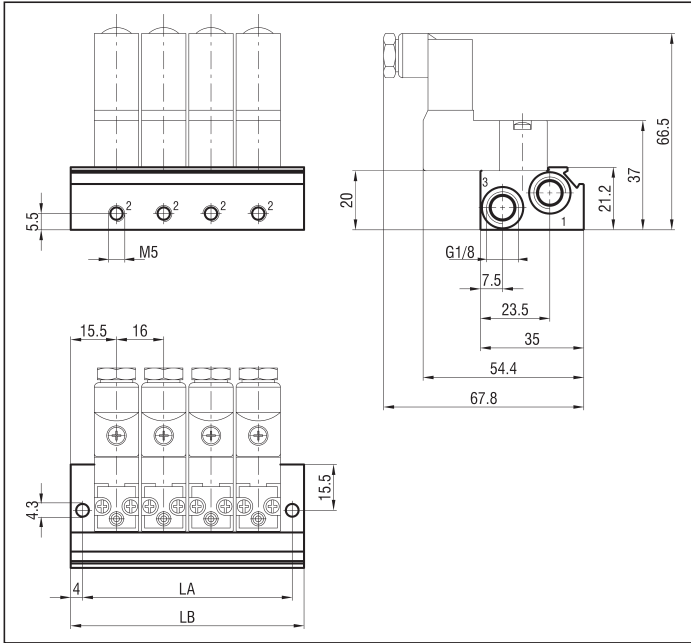


## SINGLE BASE M5 - UMP5/1

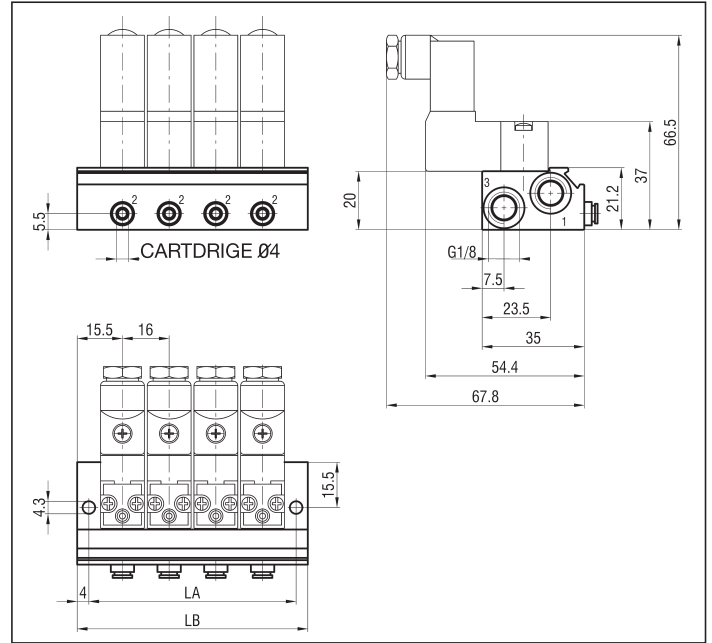


2

### MULTI-STATION BASE M5 - UMPM5



### MULTI-STATION BASE WITH CARTRIDGE Ø 4 mm - UMP4-2



N° of stations	2	3	4	5	6	7	8	9	10
LA	39	55	71	87	103	119	135	151	167
LB	47	63	79	95	111	127	143	159	175
Weight (g)	70	95	120	145	170	195	220	245	270
<b>TYPE</b>	<b>UMPM5/2</b>	<b>UMPM5/3</b>	<b>UMPM5/4</b>	<b>UMPM5/5</b>	<b>UMPM5/6</b>	<b>UMPM5/7</b>	<b>UMPM5/8</b>	<b>UMPM5/9</b>	<b>UMPM5/10</b>
Weight (g)	75	100	125	150	175	200	225	250	275
<b>TYPE</b>	<b>UMP4-2/2</b>	<b>UMP4-2/3</b>	<b>UMP4-2/4</b>	<b>UMP4-2/5</b>	<b>UMP4-2/6</b>	<b>UMP4-2/7</b>	<b>UMP4-2/8</b>	<b>UMP4-2/9</b>	<b>UMP4-2/10</b>

### REVERSAL PLATE - KIT/PC/UM

