

Air treatment: soft-start valve UZAP G 1/4

series **UZ**

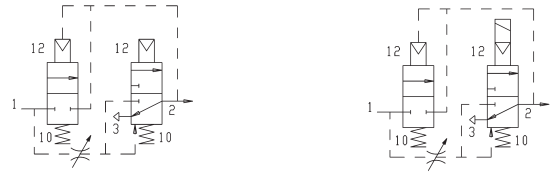
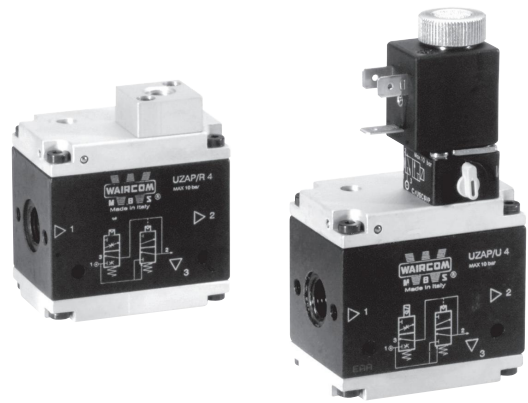
DESCRIPTION

SOFT-START VALVE: soft-start valves series "UZAP" are produced with connection G 1/4 in the pneumatic and solenoid actuated versions. The working of the soft-start valve consists in feeding gradually air into the circuit with adjustable flow. When the pressure in the circuit reaches the 50 ÷ 60% of the upstream set pressure, the valve switches to full capacity, supplying the circuit with the maximum flow rate.

AUTOMATIC SOFT-START VALVE: this valve, produced with connection G 1/4 in the 2/2 pneumatic version, even if cannot be modular assembled with the F-R-L of series "UZ"*, yet assures the same functionality of the soft-start valve above mentioned, and with the peculiarity of being "automatic", not needing any kind of external pilot.

TECHNICAL DATA

Maximum pressure	10 bar
Working temperature	0 ÷ +50 °C (-10 °C with dry air)
Fluid	Filtered, unlubricated or continuous lubricated compressed air
Port size	G 1/4
Piloting port size	G 1/8
Flow rate at 6 bar ΔP=1 bar	500 NI/min (750 NI/min for type UZAP/A4)
Max. flow rate of the adjusting screw of the filling time	300 NI/min
Type of mounting	Modular*, in-line and wall-mounting
Wall clamping screws	M4x50
Piloting solenoid valve	C/USCSV - see chapter Direct acting solenoid valves on page 2.11
Coil	USB - see chapter Coils on page 2.14
Electric connector	USR 102/N9 - see chapter Connectors on page 2.15

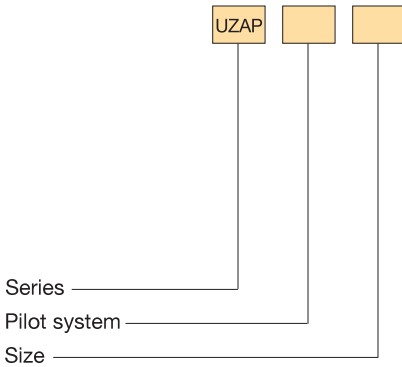


4

MATERIALS

Body	Anodized aluminium alloy
Springs	Stainless steel
Pistons	Anodized aluminium alloy
Seals	NBR rubber

ORDER KEY



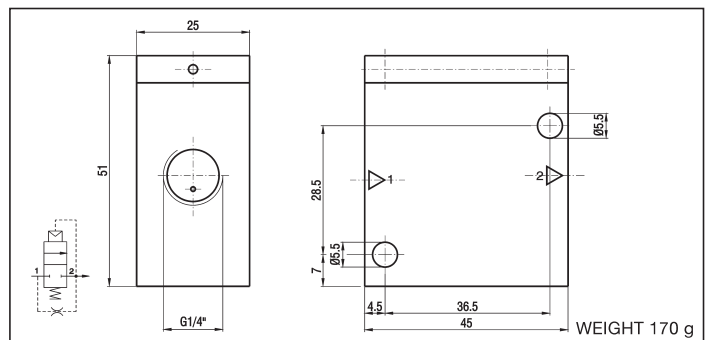
PILOT SYSTEM

/R	Pneumatic	/U	Solenoid
/A	Automatic		

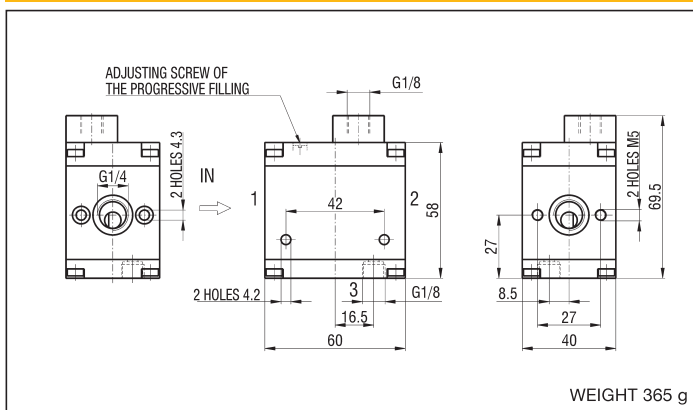
SIZE

4	G 1/4
---	-------

DIMENSIONS AND WEIGHT UZAP/A4



DIMENSIONS AND WEIGHT UZAP/R4



DIMENSIONS AND WEIGHT UZAP/U4

